

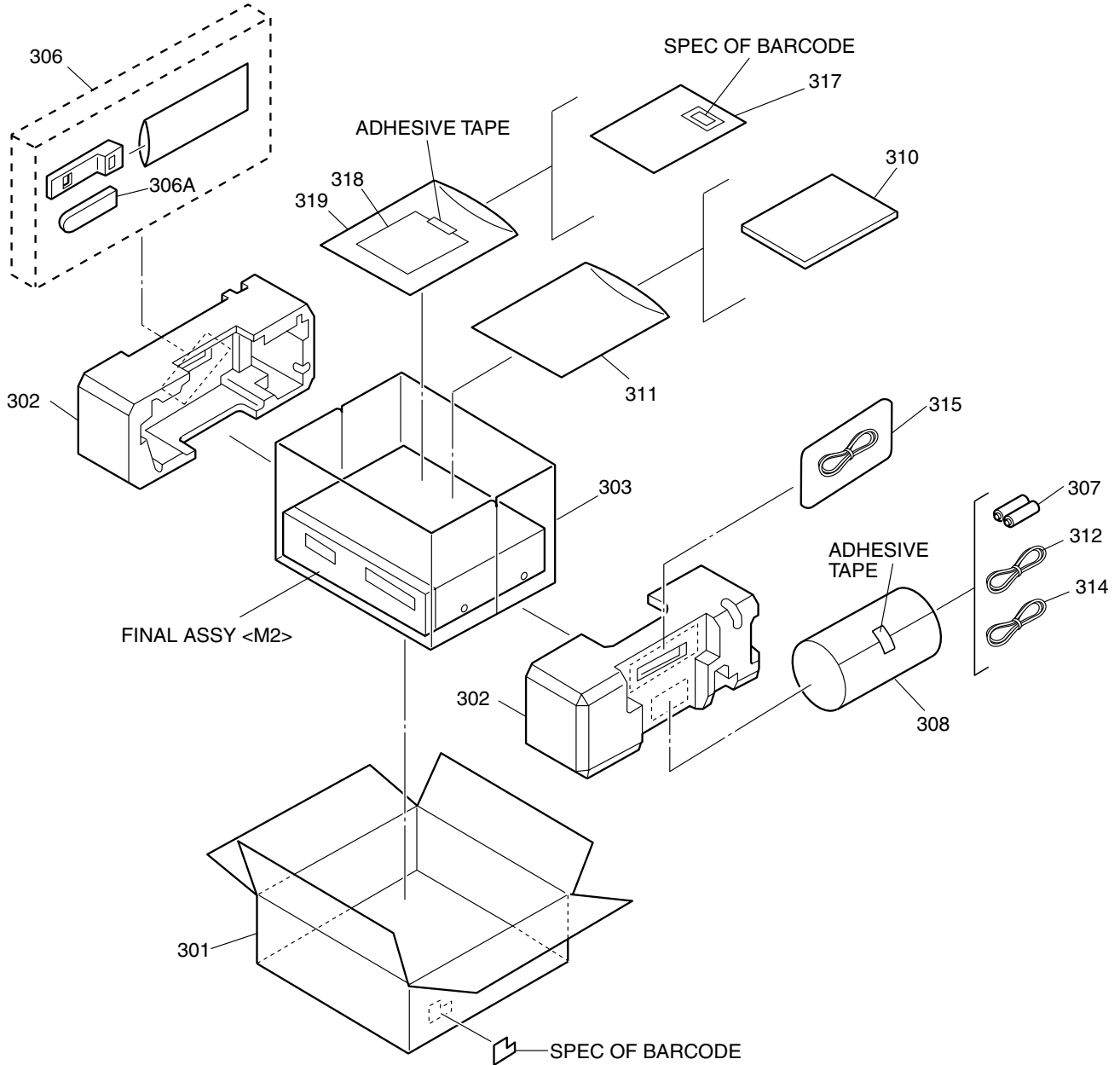
SECTION 5 PARTS LIST

SAFETY PRECAUTION

Parts identified by the \triangle symbol are critical for safety. Replace only with specified part numbers.

5.1 PACKING AND ACCESSORY ASSEMBLY <M1>

The instruction manual to be provided with this product will differ according to the destination.



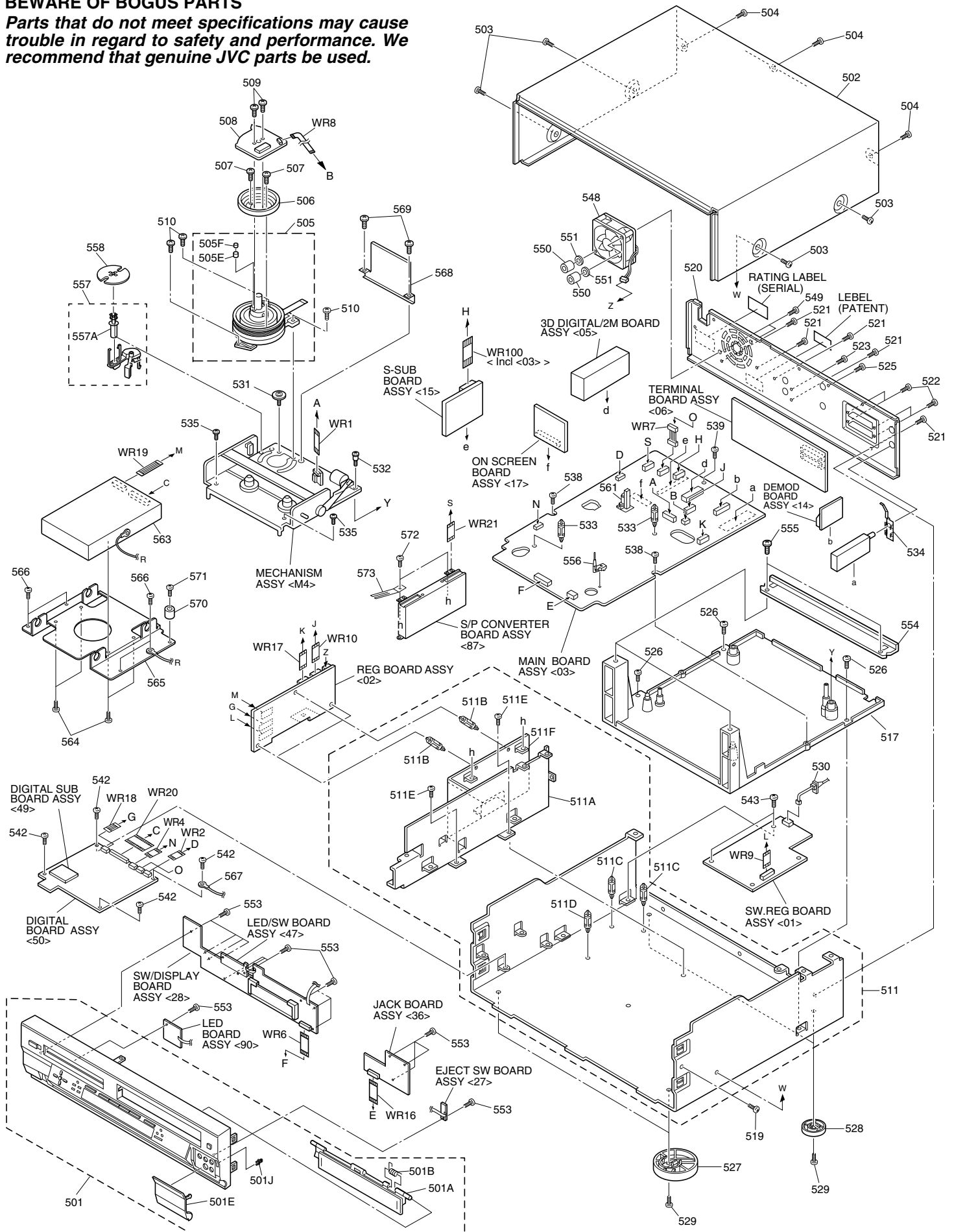
# \triangle REF No.	PART No.	PART NAME, DESCRIPTION	# \triangle REF No.	PART No.	PART NAME, DESCRIPTION

PACKING AND ACCESSORY ASSEMBLY <M1>					
301	LP30823-016A	PACKING CASE	308	QPC02202230P	POLY BAG
302	LP30868-001B	CUSHION ASSY	\triangle 310	LPT0608-001A	INST BOOK(FR)
303	PQM30021-95	POLY BAG	311	QPA02503503P	POLY BAG
306	LP20873-009B	REMOTE CONTROLLER COVER(BATTERY)	312	PEAC0300-02	RF CABLE
306A	LP40254-007A	BATTERY,X2("R6"TYPE)	314	QAL0095-005	LED CABLE ASSY
307	-	BATTERY,X2("R6"TYPE)	315	QAM0020-001	PERI CABLE
			317	BT-54008-2	GUARANTY CARD
			318	LPT0002-0F6B	SHEET(ATTENTION)
			319	QPC02503530P	POLY BAG

5.2 FINAL ASSEMBLY <M2>

BEWARE OF BOGUS PARTS

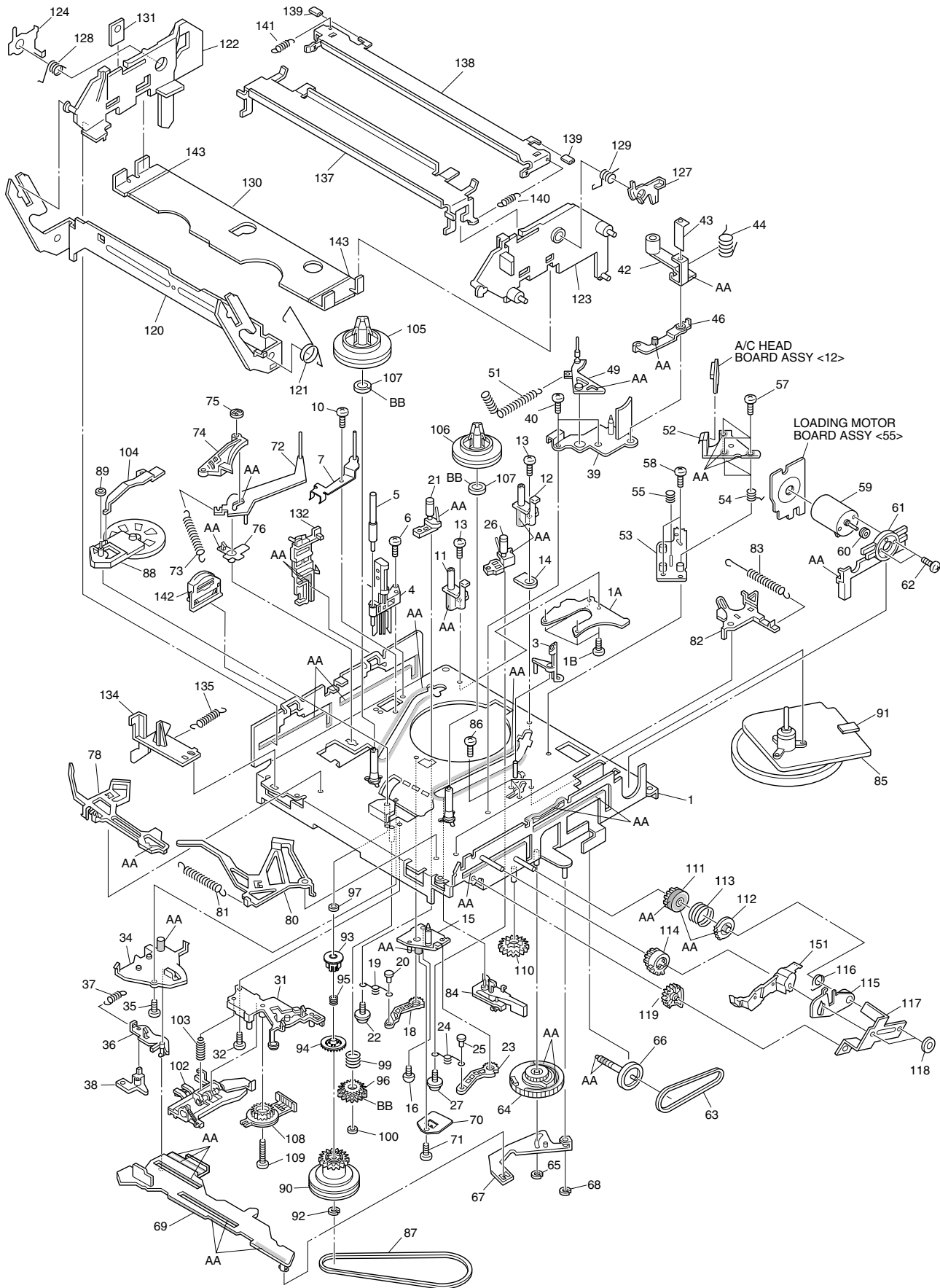
Parts that do not meet specifications may cause trouble in regard to safety and performance. We recommend that genuine JVC parts be used.



#	△	REF No.	PART No.	PART NAME, DESCRIPTION	#	△	REF No.	PART No.	PART NAME, DESCRIPTION

FINAL ASSEMBLY <M2>									
△		501	LP10331-014A	FRONT PANEL ASSY			564	LP40738-001A	SCREW,X4
		501A	LP20968-007A	CASSETTE DOOR			565	LP20962-001B	FRAME(HDD)
		501B	PQ46448	TORSION SPRING			566	QYTDST3006Z	SCREW,X4
		501E	LP30763-005A	DOOR(JACK)			567	PU49485-4	WIRE CLAMP
		501J	PU60109	CATCHER			568	LP30356-003A	DRUM SHIELD
△		502	LP10128-006A	TOP COVER			569	QYTDST2606Z	SCREW,X2
		503	QYTDST3006R	SCREW,X4 TOP COVER(SIDE)			570	LP40931-001A	STABILIZER
		504	QYTDST3006M	SCREW,X3 TOP COVER(REAR)			571	QYTDST3006Z	SCREW
		505	LP20617-016A	DRUM SUB ASSY			572	QYTDST3006Z	SCREW,X2 S/P CONVERTER
		505E	LP40323-001A	CONTACT			573	PQ41556	EARTH PLATE,S/P CONVERTER
		505F	LP30004-014A	COMPRESION SPRING		WR1	WJT0005-002A	E-CARD WIRE,A/C HEAD CN2001	
		506	PDZ0179-1-4	ROTOR ASSY		WR2	QUQ210-0830CC	FFC WIRE,DIGITAL CN2601	
		507	QYSPSP3006Z	SCREW,X2		WR4	QUQ210-0620CC	FFC WIRE,DIGITAL CN3014	
△		508	QAR0119-001	STATOR ASSY		WR6	QUQ112-1010CG	FFC WIRE,FRONT CN3011	
		509	QYSPSPH2606Z	SCREW,X2		WR7	QJN019-063011	SHI CR C-C WIRE,MAIN CN8601	
		510	QYTDST2610Z	SCREW,X3 DRUM		WR8	QUQ212-0516CG	FFC WIRE,DRUM CN3001	
△		511	LP10156-004B	BOTTOM CHASSIS ASSY		WR9	QUQ212-1910CG	FFC WIRE,SW.REG CN5301	
		511A	LP10130-002B	BRACKET(1)		WR10	QUQ212-1330CG	FFC WIRE,REG CN7508	
		511B	PEME0834	SPACER (BOARD),X3		WR16	QUQ112-1810CG	FFC WIRE,FRONT CN7507	
		511C	LP40696-001A	HOLDER(BOARD),X2		WR17	QUQ212-1540CG	FFC WIRE,REG CN7509	
		511D	LP40696-002A	HOLDER(BOARD)		WR18	QJJ001-091704	SIN CR C-C WIRE,DIGITAL CN5323	
		511E	QYTDST3006Z	SCREW,X4		WR19	QJJ032-041504	SIN CR C-C WIRE,HDD CN5326	
		511F	LP20355-001B	BRACKET(2)		WR20	WJS0018-001A	E-FL/RB WIRE,DIGITAL CN8001	
		517	LP20939-001C	BASE(1)		WR21	QUQ112-0812CG	FFC WIRE,S/P CONVERTER CN701	
		519	QYTDSF3010Z	SCREW,BOTTOM CHASSIS					
△		520	LP10339-004A	REAR COVER					
		521	QYTDST3006M	SCREW,X5 REAR					
		522	QYTDSF3008M	SCREW,X4 PERI					
		523	QYTDSF3008M	SCREW,JACK					
		525	QYTDSF3008M	SCREW,S JACK					
		526	QYTDST3006Z	SCREW,X3 BASE(1)					
		527	PQ46617C	FOOT ASSY,X2					
		528	PQ35504	FOOT(2),X2					
		529	QYTDST3006Z	SCREW,X4					
△		530	QMP4A10-170	POWER CORD					
		531	PQ40413	SPECIAL SCREW,MECHA					
		532	LP40700-001A	SPECIAL SCREW,MECHA					
		533	LP40226-001A	PC SUPPORT,X2					
		534	PQ21623-2-5	EARTH PLATE(RF)					
		535	QYTDSF3010Z	SCREW,X2 MECHA					
		538	QYTDSF3010Z	SCREW,X2 MAIN					
		539	QYTDST3006Z	SCREW,MAIN					
		542	QYTDST3006Z	SCREW,X4 DIGITAL					
		543	QYTDST3006Z	SCREW,X2 SW.REG					
		548	QAR0121-001	FAN MOTOR					
		549	QYTDSP4030M	SCREW,X2					
		550	QYNNNS4000Z	NUT,X2					
		551	QYWLS4277A0Z	SPRING WASHER,X2					
		553	QYTDSF2608Z	SCREW,X15 FRONT					
		554	LP30312-001B	BRACKET(CHASSIS)					
		555	QYTDSF3010Z	SCREW,X2					
		556	LP40407-001A	KNOB ASSY					
		557	LP40370-001E	ROLLER ARM ASSY					
		557A	PDM4311A-1	ROLLER ASSY					
		558	PQ45160	INERTIA PLATE					
		561	LP40253-001B	STOPPER					
		563	LPH30379-006A	HDD					

5.3 MECHANISM ASSEMBLY <M4>



Classification	Part No.	Symbol in drawing
Grease	KYODO-SH-P	AA
Oil	COSMO-HV56	BB

NOTE: This section indicates that the grease and oil are to be applied on locations marked with **AA** and **BB**. During checking and servicing, check if grease has been applied on the locations marked with **AA** and oil on the locations marked with **BB**.

#	△	REF No.	PART No.	PART NAME, DESCRIPTION	#	△	REF No.	PART No.	PART NAME, DESCRIPTION

MECHANISM ASSEMBLY <M4>									
1			LP20821-002F	MAIN DECK ASSY	74			LP40109-003D	TENSION BRAKE ASSY
1A			LP40275-004B	PLATE(SUPPLY)	75			PQ46302-1-3	ADJUST PIN
1B			QYTDST2605Z	SCREW,X4	76			LP30232-002A	TENSION ARM BEARING
3			LP30492-002B	GIDE POLE GUARD	78			LP40532-009B	MAIN BRAKE ASSY (SUPPLY)
4			NAH0001-001	FULL ERASE HEAD	80			LP40111-014C	MAIN BRAKE ASSY (TAKE UP)
5			LP40098-001B	GUIDE POLE(SUPPLY)	81			LP30003-029A	TENSION SPRING
6			QYTDST2608Z	SCREW	82			LP40112-001F	SUB BRAKE ASSY(TAKE UP)
7			LP40637-002A	TENSION STUD BASE ASSY	83			LP40357-001B	TENSION SPRING
10			QYTDST2606Z	SCREW	84			LP40461-001A	CAPSTAN BRAKE ASSY
11			LP30409-002C	UV CATCHER 2(SUPPLY)	85			QAR0132-001	CAPSTAN MOTOR
12			LP30409-002C	UV CATCHER 2(TAKE UP)	86			QYTDST2606M	SCREW,X3
13			QYTPST2606Z	SCREW,X2	87			LP30005-008A	BELT,CAPSTAN MOTOR
14			PQ40919-10	SPACER (TAKE UP)	88			LP40114-011B	IDLER ARM ASSY
15			LP30223-003C	LOADING ARM GEAR SHAFT	89			LP30016-001A	SLIT WASHER
16			QYTDST2606Z	SCREW	90			LP40593-003B	CLUTCH UNIT 3
18			LP30224-001B	LOADING ARM GEAR(SUPPLY)	91			LP30002-097A	SPACER,CAPSTAN MOTOR
19			LP40099-001A	TORSION ARM	92			PQM30017-47	SLIT WASHER
20			LP40100-001A	PIN	93			LP30696-002A	CLUTCH GEAR 4
21			LP40101-006A	POLE BASE ASSY(SUPPLY)	94			LP30697-003A	COUPLING GEAR
22			QYSPSTG2606Z	SCREW	95			LP40554-002A	COMPRESSION SPRING
23			LP40103-002B	LOADING ARM GEAR(TAKE UP)	96			LP40442-001A	DIRECT GEAR
24			LP40099-001A	TORSION ARM	97			LP30017-019A	SPACER,C.GEAR4
25			LP40100-001A	PIN	99			LP40483-002A	COMPRESSION SPRING
26			LP40104-006A	POLE BASE ASSY(TAKE UP)	100			LP30016-001A	SLIT WASHER
27			QYSPSTG2606Z	SCREW	102			LP40484-003B	CHANGE LEVER ASSY
31			LP20233-004B	ROTARY ENCODER GUIDE	103			LP40512-002B	COMPRESSION SPRING
32			QYTPST2606Z	SCREW	104			LP30236-002C	IDLER LEVER
34			LP30226-004E	CONTROL PLATE GUIDE	105			LP20237-003B	REEL DISK ASSY(SUPPLY)
35			QYTPST2605Z	SCREW	106			LP20238-003B	REEL DISK ASSY(TAKE UP)
36			LP30249-003B	TAKE UP LEVER	107			LP30017-015A	SPACER,X2
37			LP30003-006A	TENSION SPRING	108			QSW0554-003	ROTARY ENCODER
38			LP40119-002A	T.UP HEAD	109			LP40746-001A	SPECIAL SCREW
39			LP20234-004B	LID GUIDE	110			LP30237-002B	CASSETTE GEAR
40			QYTDST2606Z	SCREW,X2	111			LP30239-002G	LIMIT GEAR(1)
42			LP40105-003A	PINCH ROLLER ARM ASSY	112			LP30240-002G	LIMIT GEAR(2)
43			LP40753-001A	PINCH ROLLER SHEET 3	113			LP40136-001E	TORSION SPRING
44			LP40148-002A	TORSION SPRING	114			LP30242-002B	RELAY GEAR
46			LP40149-001C	PRESS LEVER ASSY	115			LP30339-002F	OPENER GUIDE
49			LP40106-007A	GUIDE ARM ASSY	116			LP40545-001A	TORSION SPRING
51			LP40134-001C	TENSION SPRING	117			LP40214-001B	C.H.BRACKET
52			QAH0010-005	AC HEAD	118			PQM30017-47	SLIT WASHER,X2
53			LP30228-001C	HEAD BASE	119			LP30243-002A	DRIVE GEAR
54			LP30004-013A	COMPRESSION SPRING,X3	120			LP20240-001G	DRIVE ARM
55			LP40236-001A	COMPRESSION SPRING	121			LP40137-001A	TORSION SPRING
57			LP40213-002B	SPECIAL SCREW,X3	122			LP10081-002L	SIDE HOLDER(L)
58			QYTDST2608Z	SCREW,X2	123			LP10082-002U	SIDE HOLDER(R)
59			QAR0023-001	LOADING MOTOR	124			LP30255-006B	LOCK LEVER(L)
60			PQ43546-1-2	MOTOR PULLEY	127			LP30256-001H	LOCK LEVER(R)
61			LP30230-003D	MOTOR GUIDE	128			LP40168-003A	TORSION SPRING(L)
62			QYTPSP3003Z	SCREW,X2	129			LP40218-001B	TORSION SPRING(R)
63			LP30005-003A	BELT,LOADING MOTOR	130			LP30257-001G	CASSETTE HOLDER
64			LP20791-002D	CONTROL CAM	131			PQ40919-30	SPACER,EARTH PLATE
65			PQM30017-24	SLIT WASHER	132			LP30244-002G	GUIDE RAIL
66			LP40120-001A	WORM GEAR	134			LP30245-002F	REC SAFETY LEVER
67			LP40107-002A	LINK LEVER ASSY	135			LP30003-004A	TENSION SPRING
68			PQM30017-24	SLIT WASHER	137			LP20578-001C	TOP GUIDE
69			LP10284-002E	CONTROL PLATE	138			LP30500-001C	HOLD PLATE
70			LP40379-001B	CONTROL BRACKET(1)	139			LP40450-003A	PAD,X2
71			QYTDST2608M	SCREW	140			LP30003-025B	TENSION SPRING
72			LP40108-002A	TENSION ARM ASSY	141			LP30003-024A	TENSION SPRING
73			LP30003-010A	TENSION SPRING	142			LP40481-003A	ROLLER CAM ASSY
					143			LP30019-014A	PAD,X2
					151			LP20324-003B	DOOR OPENER

5.4 ELECTRICAL PARTS LIST

#	△ REF No.	PART No.	PART NAME, DESCRIPTION

SW.REG BOARD ASSEMBLY <01>			
PW1		LPA10119-06A1	SW.REG BOARD ASSY
IC5101		STR-F6552	IC
IC5301		L5431	IC
		or MM1431AT	IC
Q5301		2SD1819A/RS/-X	TRANSISTOR
		or 2PC4081/R/-X	TRANSISTOR
		or 2SC4081/RS/-X	TRANSISTOR
Q5302		DTA114EU	TRANSISTOR
		or RN2302	TRANSISTOR
		or UN5111	TRANSISTOR
		or PDTA114EU	TRANSISTOR
D5001		D3SBA60	BRIDGE DIODE
D5101		SARS01	DIODE
D5102		AU01Z	FR DIODE
		or ERA18-02-T2	FR DIODE
		or PG104RS	FR DIODE
		or 1SR153-400-T2	FR DIODE
		or 10ELS2	FR DIODE
D5103		1SS133	DIODE
		or 1SS270A	DIODE
D5201		AK04	DIODE
		or 1S4	SB DIODE
		or 11EQS04	SB DIODE
D5202		FML-12S	FR DIODE
		or FCF06A20	FR DIODE
		or ER602FCT	FR DIODE
		or SF5LC20U	FR DIODE
		or YG901C2	FR DIODE
D5203		FMB-24	BARRIER DIODE
		or FSQ05A04B	SB DIODE
		or SB640FCT	SB DIODE
		or SF5SC4	SB DIODE
		or YG801C04	SB DIODE
D5204		1SR153-400-T2	FR DIODE
		or PG104RS	FR DIODE
		or 10ELS2	FR DIODE
		or ERA18-02-T2	FR DIODE
D5206		FMB-24	BARRIER DIODE
		or FSQ05A04B	SB DIODE
		or SB640FCT	SB DIODE
		or SF5SC4	SB DIODE
		or YG801C04	SB DIODE
D5210		AU01Z	FR DIODE
		or ERA18-02-T2	FR DIODE
		or PG104RS	FR DIODE
		or 1SR153-400-T2	FR DIODE
		or 10ELS2	FR DIODE
D5211		AU01Z	FR DIODE
		or ERA18-02-T2	FR DIODE
		or 1SR153-400-T2	FR DIODE
		or 10ELS2	FR DIODE
		or PG104RS	FR DIODE
D5301		MTZJ15A	ZENER DIODE
		or RD15ES/B1/-T2	ZENER DIODE
D5303		MTZJ7.5A	ZENER DIODE
		or RD7.5ES/B1/-T2	ZENER DIODE
D5304		1SS133	DIODE

#	△ REF No.	PART No.	PART NAME, DESCRIPTION
		or 1SS270A	DIODE
D5305		MTZJ27C	ZENER DIODE
		or RD27ES/B3/-T2	ZENER DIODE
D5306		MTZJ2.7B	ZENER DIODE
		or RD2.7ES/B2/-T2	ZENER DIODE
D5307		1SS133	DIODE
		or 1SS270A	DIODE
D5308		1SS133	DIODE
		or 1SS270A	DIODE
D5309		1SS133	DIODE
		or 1SS270A	DIODE
D5310		1SS133	DIODE
		or 1SS270A	DIODE
D5311		1SS133	DIODE
		or 1SS270A	DIODE
D5312		1SS133	DIODE
		or 1SS270A	DIODE
D5313		1SS133	DIODE
		or 1SS270A	DIODE
R5101		QRG02GJ-683	OMF RESISTOR 68kΩ,2W
R5102		QRE141J-100Y	RESISTOR 10Ω,1/4W
R5103		NRSA02J-332X	MG RESISTOR 3.3kΩ,1/10W
R5104		QRE141J-681Y	RESISTOR 680Ω,1/4W
R5105		QRT01DJ-R47X	MF RESISTOR 0.47Ω,1W
R5107		QRE141J-684Y	RESISTOR 680kΩ,1/4W
R5108		QRE121J-470Y	RESISTOR 47Ω,1/2W
R5302		NRSA02J-472X	MG RESISTOR 4.7kΩ,1/10W
R5303		NRVA02D-123X	CMF RESISTOR 12kΩ,1/10W
R5304		NRVA02D-302X	CMF RESISTOR 3kΩ,1/10W
R5305		NRSA02J-223X	MG RESISTOR 22kΩ,1/10W
△ R5306		QRZ9005-470X	FUSI RESISTOR 47Ω,1/4W
R5307		NRSA02J-221X	MG RESISTOR 220Ω,1/10W
R5308		NRSA02J-102X	MG RESISTOR 1kΩ,1/10W
R5309		NRSA02J-122X	MG RESISTOR 1.2kΩ,1/10W
R5310		QRL02DJ-821X	OMF RESISTOR 820Ω,2W
R5311		NRSA02J-473X	MG RESISTOR 47kΩ,1/10W
R5313		NRSA02J-561X	MG RESISTOR 560Ω,1/10W
R5314		NRSA02J-103X	MG RESISTOR 10kΩ,1/10W
R5316		NRSA02J-102X	MG RESISTOR 1kΩ,1/10W
R5317		NRSA02J-333X	MG RESISTOR 33kΩ,1/10W
B5003		QUY160-100Y	IM BUS WIRE
△ C5001		QFZ9073-683	F CAPACITOR 0.068μF,250V
△ C5002		QFZ9051-333	F CAPACITOR 0.033μF,250V
△ C5004		QCZ9071-222	CAPACITOR 0.0022μF,250V
C5007		QEZ0374-826	E CAPACITOR 82μF,400V
C5102		QEMU1VM-276	E CAPACITOR 27μF,35V
C5103		QCZ0302-330Z	CAPACITOR 33pF,1kV
C5104		QFLC1HJ-471Z	F CAPACITOR 470pF,50V
C5105		NCB21HK-223X	CAPACITOR 0.022μF,50V
C5106		QCZ0212-472	CAPACITOR 0.0047μF,1kV
C5201		QEMU0JM-227	E CAPACITOR 220μF,6.3V
C5202		QEMT1CM-827	E CAPACITOR 820μF,16V
C5203		QETN1CM-227	E CAPACITOR 220μF,16V
C5204		QEMT1AM-228	E CAPACITOR 2200μF,10V
C5205		QETN1AM-227	E CAPACITOR 220μF,10V
C5206		QEMU1EM-187	E CAPACITOR 180μF,25V
C5207		QETN2AM-475	E CAPACITOR 4.7μF,100V
C5208		QEMU1HM-186	E CAPACITOR 18μF,50V
C5212		QEMT1AM-278	E CAPACITOR 2700μF,10V
C5213		QETN1AM-227	E CAPACITOR 220μF,10V
C5301		QFLC1HJ-103Z	F CAPACITOR 0.01μF,50V

#	△	REF No.	PART No.	PART NAME, DESCRIPTION
		C5302	QFLC1HJ-473Z	F CAPACITOR 0.047μF,50V
		C5303	QFLC1HJ-333Z	F CAPACITOR 0.033μF,50V
		C5304	QETN1EM-476	E CAPACITOR 47μF,25V
		C5305	QFLC1HJ-103Z	F CAPACITOR 0.01μF,50V
		L5201	PELN1184	COIL 33μH
		L5202	PU60944-330K	COIL 33μH
		L5205	PELN1184	COIL 33μH
		K5101	QQR0678-001Z	FERRITE BEAD
△		PC5101	PC123F2	PH COUPLER
△		T5001	QQS0092-001	SW TRANSFORMER
		HS2	LP40515-001B	HEAT SINK,D5203
		OT1	QYTDST3008Z	SCREW,X2,D5203
		FC5001	QNG0006-001Z	FUSE CLIP,F5001
		FC5002	QNG0006-001Z	FUSE CLIP,F5001
△		LF5001	PELN1204-01-01	LINE FILTER
△		LF5002	QQR1031-001	LINE FILTER
△		CN5001	QGA7901C3-02	CONNECTOR,(1-2)AC IN
		CN5201	QGF1208C1-19	FPC CONNECTOR,(1-19)REG
△		CP5301	ICP-N25	CIRCUIT PROTECTOR
△		F5001	QMF51E2-2R0J1	FUSE T2.0A,AC250V

REG BOARD ASSEMBLY <02>

PW2	LPA10119-06A2	REG BOARD ASSY
IC5321	PQ15RW11	IC
IC5322	PQ5EV3	IC
Q5321	2SD2528/QP/	TRANSISTOR
Q5322	2SD1819A/RS/-X	TRANSISTOR
	or 2PC4081/R/-X	TRANSISTOR
	or 2SC4081/RS/-X	TRANSISTOR
Q5326	2SD2375/QP/	TRANSISTOR
Q5327	2SD1819A/RS/-X	TRANSISTOR
	or 2PC4081/R/-X	TRANSISTOR
	or 2SC4081/RS/-X	TRANSISTOR
Q5328	2SD1302/ST/-T	TRANSISTOR
	or 2SD1450/ST/-T	TRANSISTOR
Q5329	DTA114EU	TRANSISTOR
	or RN2302	TRANSISTOR
	or UN5111	TRANSISTOR
	or PDTA114EU	TRANSISTOR
Q5330	2SD2144S/UV/-T	TRANSISTOR
Q5331	2SB1068/KU/-T	TRANSISTOR
Q5332	DTC114EU	TRANSISTOR
	or PDTC114EU	TRANSISTOR
	or RN1302	TRANSISTOR
	or UN5211	TRANSISTOR
Q5333	2SD1450/ST/-T	TRANSISTOR
	or 2SD1302/ST/-T	TRANSISTOR
Q5335	2SB1256	TRANSISTOR
Q5336	DTC114TU	TRANSISTOR
	or PDTC114TU	TRANSISTOR
	or RN1311	TRANSISTOR
	or UN5215	TRANSISTOR
D5321	FML-12S	FR DIODE
	or FCF06A20	FR DIODE
	or YG901C2	FR DIODE
	or ER602FCT	FR DIODE

#	△	REF No.	PART No.	PART NAME, DESCRIPTION
			or SF5LC20U	FR DIODE
D5325			RD5.1JS/B2/-T2	ZENER DIODE
			or MA4051N/M/-T2	ZENER DIODE
D5326			1SS133	DIODE
			or 1SS270A	DIODE
D5327			RD5.1JS/B2/-T2	ZENER DIODE
			or MA4051N/M/-T2	ZENER DIODE
D5328			1SS133	DIODE
			or 1SS270A	DIODE
D5329			1SS133	DIODE
			or 1SS270A	DIODE
D5331			1SS133	DIODE
			or 1SS270A	DIODE
D5333			1SS133	DIODE
			or 1SS270A	DIODE
D5334			11ES2	DIODE
			or ERA15-02-T2	DIODE
			or 1A3G	DIODE
D5335			1SS133	DIODE
			or 1SS270A	DIODE
D5336			MTZJ12A	ZENER DIODE
			or RD12ES/B1/-T2	ZENER DIODE
R5322			NRSA02J-471X	MG RESISTOR 470Ω,1/10W
R5323			NRSA02J-471X	MG RESISTOR 470Ω,1/10W
R5324			NRSA02J-102X	MG RESISTOR 1kΩ,1/10W
R5325			NRSA02J-103X	MG RESISTOR 10kΩ,1/10W
R5326			NRSA02J-471X	MG RESISTOR 470Ω,1/10W
R5327			NRSA02J-471X	MG RESISTOR 470Ω,1/10W
R5328			NRSA02J-102X	MG RESISTOR 1kΩ,1/10W
R5329			NRSA02J-103X	MG RESISTOR 10kΩ,1/10W
R5330			NRSA02J-471X	MG RESISTOR 470Ω,1/10W
R5331			NRSA02J-473X	MG RESISTOR 47kΩ,1/10W
R5334			NRVA02D-472X	CMF RESISTOR 4.7kΩ,1/10W
R5335			NRVA02D-472X	CMF RESISTOR 4.7kΩ,1/10W
R5336			NRVA02D-472X	CMF RESISTOR 4.7kΩ,1/10W
R5337			NRVA02D-152X	CMF RESISTOR 1.5kΩ,1/10W
R5338			NRSA02J-103X	MG RESISTOR 10kΩ,1/10W
R5339			NRSA02J-102X	MG RESISTOR 1kΩ,1/10W
R5340			QRL01DJ-101X	OMF RESISTOR 100Ω,1W
R5341			NRSA02J-511X	MG RESISTOR 510Ω,1/10W
R5342			NRSA02J-471X	MG RESISTOR 470Ω,1/10W
R5343			NRSA02J-473X	MG RESISTOR 47kΩ,1/10W
R5344			NRSA02J-221X	MG RESISTOR 220Ω,1/10W
R5345			NRSA02J-472X	MG RESISTOR 4.7kΩ,1/10W
R5346			NRSA02J-222X	MG RESISTOR 2.2kΩ,1/10W
R5353			NRSA02J-103X	MG RESISTOR 10kΩ,1/10W
B5301			NRSA02J-0R0X	MG RESISTOR 0Ω,1/10W
B5302			NRSA02J-0R0X	MG RESISTOR 0Ω,1/10W
B5303			NRSA02J-0R0X	MG RESISTOR 0Ω,1/10W
B5305			NRSA02J-0R0X	MG RESISTOR 0Ω,1/10W
B5306			QUY153-050Y	IM BUS WIRE
B5307			QUY153-050Y	IM BUS WIRE
C5321			QETN1AM-107	E CAPACITOR 100μF,10V
C5322			QETN1HM-106	E CAPACITOR 10μF,50V
C5323			QETN1CM-107	E CAPACITOR 100μF,16V
C5324			QFLC1HJ-102Z	F CAPACITOR 0.001μF,50V
C5325			QFLC1HJ-102Z	F CAPACITOR 0.001μF,50V
C5326			QETN1AM-107	E CAPACITOR 100μF,10V
C5327			NCB21HK-103X	CAPACITOR 0.01μF,50V
C5328			QETN1AM-107	E CAPACITOR 100μF,10V
C5329			NCB21HK-103X	CAPACITOR 0.01μF,50V

#	△ REF No.	PART No.	PART NAME, DESCRIPTION
	C5330	QETN1AM-107	E CAPACITOR 100μF,10V
	C5332	QETN1CM-226	E CAPACITOR 22μF,16V
	C5333	QETN1AM-107	E CAPACITOR 100μF,10V
	C5334	QETN1CM-227	E CAPACITOR 220μF,16V
	C5335	QETN1CM-107	E CAPACITOR 100μF,16V
	L5321	QQL01BK-101Z	COIL 100μH
	HS1	LP40090-001A	HEAT SINK,IC5322
	HS2	LP40090-001A	HEAT SINK,Q5321
	OT1	QYTDST3006Z	SCREW,IC5322
	OT2	QYTDST3006Z	SCREW,Q5321
	CN5301	QGF1208C1-19	FPC CONNECTOR,(1-19)SW/REG
	CN5321	QGF1208F1-15	FPC CONNECTOR,(1-15)MAIN
	CN5322	QGF1208F1-13	FPC CONNECTOR,(1-13)MAIN
	CN5323	QGA2001C1-09	CONNECTOR,(1-9)DIGITAL
	CN5325	QGA2001F1-02	CONNECTOR,(1-2)FAN MOTOR
	CN5326	QGA2501C1-04	CONNECTOR,(1-4)HDD
△	CP5322	ICP-N25	CIRCUIT PROTECTOR

MAIN BOARD ASSEMBLY <03>

PW1	LPA10113-09B	MAIN BOARD ASSY
IC1	JCP8050-MSA	IC
IC2	MM1113XF	IC
IC301	LA7358	IC
IC702	MM1113XF	IC
IC703	MM1117XF	IC
IC705	MM1117XF	IC
IC706	PQ05TZ1U	IC
	or PQ05TZ5U	IC
IC707	AN3916	IC
IC708	MM1115XF	IC
IC709	MM1031XM	IC
IC710	MM1117XF	IC
IC711	MM1117XF	IC
IC712	MM1113XF	IC
IC713	MM1111XF	IC
IC2601	BU4052BCF	IC
IC2602	BA15218F-XE	IC
IC2603	BU4052BCF	IC
IC2605	BA15218F-XE	IC
IC2606	BU4052BCF	IC
IC2607	BU4052BCF	IC
IC2608	BA15218F-XE	IC
IC2610	BU4053BCF	IC
IC3001	HD6432194AA27F	IC(MCU)
IC3002	S-80727AN-DQ-X	IC
	or S-80827ANUP-W	IC
IC3003	AT24C16-10PC	IC
	or 24LC16B/P	IC
IC3004	BA6956AN	IC
IC3006	TC7S04F	IC(DIGITAL)
IC3601	BU2090FS	IC
IC3651	BU2090FS	IC
Q1	2SC4081/S/-X	TRANSISTOR
Q2	2SC4081/S/-X	TRANSISTOR
Q3	2SC4081/S/-X	TRANSISTOR
Q4	2SC4081/S/-X	TRANSISTOR

#	△ REF No.	PART No.	PART NAME, DESCRIPTION
	Q5	2SB1218A/QR/-X	TRANSISTOR
		or 2PA1576/R/-X	TRANSISTOR
		or 2SA1576A/QR/-X	TRANSISTOR
	Q7	2SD1819A/QRS/-X	TRANSISTOR
		or 2SC4081/QRS/-X	TRANSISTOR
		or 2PC4081/R/-X	TRANSISTOR
	Q8	2SD1819A/QRS/-X	TRANSISTOR
		or 2PC4081/R/-X	TRANSISTOR
		or 2SC4081/QRS/-X	TRANSISTOR
	Q9	2SB1218A/QR/-X	TRANSISTOR
		or 2SA1576A/QR/-X	TRANSISTOR
		or 2PA1576/R/-X	TRANSISTOR
	Q10	2SB1218A/QR/-X	TRANSISTOR
		or 2PA1576/R/-X	TRANSISTOR
		or 2SA1576A/QR/-X	TRANSISTOR
	Q14	DTA144WU	TRANSISTOR
		or PDTA144WU	TRANSISTOR
		or RN2309	TRANSISTOR
		or UN511E	TRANSISTOR
	Q17	DTC144WU	TRANSISTOR
		or PDTC144WU	TRANSISTOR
		or RN1309	TRANSISTOR
		or UN521E	TRANSISTOR
	Q21	2SB1218A/QR/-X	TRANSISTOR
		or 2PA1576/R/-X	TRANSISTOR
		or 2SA1576A/QR/-X	TRANSISTOR
	Q24	2SA1576A/QR/-X	TRANSISTOR
		or 2SB1218A/QR/-X	TRANSISTOR
		or 2PA1576/R/-X	TRANSISTOR
	Q25	DTC144WU	TRANSISTOR
		or PDTC144WU	TRANSISTOR
		or RN1309	TRANSISTOR
		or UN521E	TRANSISTOR
	Q38	2SD1819A/QRS/-X	TRANSISTOR
		or 2SC4081/QRS/-X	TRANSISTOR
		or 2PC4081/R/-X	TRANSISTOR
	Q41	DTC144WU	TRANSISTOR
		or PDTC144WU	TRANSISTOR
		or RN1309	TRANSISTOR
		or UN521E	TRANSISTOR
	Q301	2SB1218A/QR/-X	TRANSISTOR
		or 2PA1576/R/-X	TRANSISTOR
		or 2SA1576A/QR/-X	TRANSISTOR
	Q302	DTA144WU	TRANSISTOR
		or PDTA144WU	TRANSISTOR
		or RN2309	TRANSISTOR
		or UN511E	TRANSISTOR
	Q401	2SA1576A/QR/-X	TRANSISTOR
	Q402	2SA1576A/QR/-X	TRANSISTOR
	Q403	DTC144WU	TRANSISTOR
		or PDTC144WU	TRANSISTOR
		or RN1309	TRANSISTOR
		or UN521E	TRANSISTOR
	Q404	DTC144WU	TRANSISTOR
		or PDTC144WU	TRANSISTOR
		or RN1309	TRANSISTOR
		or UN521E	TRANSISTOR
	Q405	2SA1576A/QR/-X	TRANSISTOR
	Q703	2SC4081/QRS/-X	TRANSISTOR
		or 2PC4081/R/-X	TRANSISTOR
		or 2SD1819A/QRS/-X	TRANSISTOR

#	△	REF No.	PART No.	PART NAME, DESCRIPTION	#	△	REF No.	PART No.	PART NAME, DESCRIPTION
Q705			2SA1576A/QR/-X	TRANSISTOR	Q2062			2SA1576A/QR/-X	TRANSISTOR
			or 2PA1576/R/-X	TRANSISTOR				or 2PA1576/R/-X	TRANSISTOR
			or 2SB1218A/QR/-X	TRANSISTOR				or 2SB1218A/QR/-X	TRANSISTOR
Q706			2SC4081/QRS/-X	TRANSISTOR	Q2251			DTA144WU	TRANSISTOR
			or 2SD1819A/QRS/-X	TRANSISTOR				or PDTA144WU	TRANSISTOR
			or 2PC4081/R/-X	TRANSISTOR				or UN511E	TRANSISTOR
Q708			2SA1576A/QR/-X	TRANSISTOR				or RN2309	TRANSISTOR
			or 2SB1218A/QR/-X	TRANSISTOR	Q2252			DTC114EU	TRANSISTOR
			or 2PA1576/R/-X	TRANSISTOR				or PDTC114EU	TRANSISTOR
Q709			2SA1576A/QR/-X	TRANSISTOR				or RN1302	TRANSISTOR
			or 2PA1576/R/-X	TRANSISTOR				or UN5211	TRANSISTOR
			or 2SB1218A/QR/-X	TRANSISTOR	Q2601			2SC4081/QRS/-X	TRANSISTOR
Q710			2SA1576A/QR/-X	TRANSISTOR	Q2602			2SC4081/QRS/-X	TRANSISTOR
			or 2SB1218A/QR/-X	TRANSISTOR	Q3001			2SD1819A/QRS/-X	TRANSISTOR
			or 2PA1576/R/-X	TRANSISTOR				or 2SC4081/QRS/-X	TRANSISTOR
Q711			2SA1576A/QR/-X	TRANSISTOR				or 2PC4081/R/-X	TRANSISTOR
			or 2PA1576/R/-X	TRANSISTOR	Q3002			PTZ-NV16	PHOTO TRANSISTOR
			or 2SB1218A/QR/-X	TRANSISTOR				or PTZ-NV16A	PHOTO TRANSISTOR
Q712			2SC4081/QRS/-X	TRANSISTOR	Q3003			PTZ-NV16	PHOTO TRANSISTOR
			or 2SD1819A/QRS/-X	TRANSISTOR				or PTZ-NV16A	PHOTO TRANSISTOR
			or 2PC4081/R/-X	TRANSISTOR	Q3004			2SD1819A/QRS/-X	TRANSISTOR
Q725			2SA1576A/QR/-X	TRANSISTOR				or 2PC4081/R/-X	TRANSISTOR
			or 2PA1576/R/-X	TRANSISTOR				or 2SC4081/QRS/-X	TRANSISTOR
			or 2SB1218A/QR/-X	TRANSISTOR	Q3005			2SD1819A/QRS/-X	TRANSISTOR
Q726			2SC4081/QRS/-X	TRANSISTOR				or 2SC4081/QRS/-X	TRANSISTOR
			or 2SD1819A/QRS/-X	TRANSISTOR				or 2PC4081/R/-X	TRANSISTOR
			or 2PC4081/R/-X	TRANSISTOR	Q3007			DTC144WU	TRANSISTOR
Q727			2SA1576A/QR/-X	TRANSISTOR				or PDTC144WU	TRANSISTOR
			or 2PA1576/R/-X	TRANSISTOR				or UN521E	TRANSISTOR
			or 2SB1218A/QR/-X	TRANSISTOR				or RN1309	TRANSISTOR
Q728			2SC4081/QRS/-X	TRANSISTOR	Q3302			DTC144WU	TRANSISTOR
			or 2SD1819A/QRS/-X	TRANSISTOR				or PDTC144WU	TRANSISTOR
			or 2PC4081/R/-X	TRANSISTOR				or RN1309	TRANSISTOR
Q732			DTC114ESA-T	TRANSISTOR				or UN521E	TRANSISTOR
Q2001			2SC4081/QRS/-X	TRANSISTOR	Q4001			UN5211	TRANSISTOR
			or 2PC4081/R/-X	TRANSISTOR				or RN1302	TRANSISTOR
			or 2SD1819A/QRS/-X	TRANSISTOR				or DTC114EU	TRANSISTOR
Q2002			2SC4081/QRS/-X	TRANSISTOR	Q4002			UN5211	TRANSISTOR
			or 2SD1819A/QRS/-X	TRANSISTOR				or DTC114EU	TRANSISTOR
			or 2PC4081/R/-X	TRANSISTOR				or RN1302	TRANSISTOR
Q2003			DTA144WU	TRANSISTOR	Q4003			UN5211	TRANSISTOR
			or PDTA144WU	TRANSISTOR				or DTC114EU	TRANSISTOR
			or RN2309	TRANSISTOR				or RN1302	TRANSISTOR
			or UN511E	TRANSISTOR	Q6030			2SB1218A/QR/-X	TRANSISTOR
Q2004			DTC144WU	TRANSISTOR				or 2SA1576A/QR/-X	TRANSISTOR
			or PDTC144WU	TRANSISTOR				or 2PA1576/R/-X	TRANSISTOR
			or RN1309	TRANSISTOR	Q6031			DTC144EU	TRANSISTOR
			or UN521E	TRANSISTOR	Q6032			DTC144EU	TRANSISTOR
Q2051			2SC4081/QRS/-X	TRANSISTOR	Q7501			2SC1317/RS/-T	TRANSISTOR
Q2052			2SA1576A/QR/-X	TRANSISTOR	Q7503			DTC144WU	TRANSISTOR
			or 2SB1218A/QR/-X	TRANSISTOR	D6			MTZJ5.1C	ZENER DIODE
			or 2PA1576/R/-X	TRANSISTOR	D8			NRSA02J-0R0X	MG RESISTOR
Q2053			DTC144WU	TRANSISTOR	D706			1SS355	DIODE
			or PDTC144WU	TRANSISTOR	D2001			1SS355	DIODE
			or RN1309	TRANSISTOR	D2121			MTZJ8.2C	ZENER DIODE
			or UN521E	TRANSISTOR	D2201			11ES2	DIODE
Q2054			2SA1576A/QR/-X	TRANSISTOR				or 1A3G	DIODE
			or 2PA1576/R/-X	TRANSISTOR	D3001			LNB2301L01VI	LE DIODE
			or 2SB1218A/QR/-X	TRANSISTOR	D3002			1SS133	DIODE
Q2061			2SC4081/QRS/-X	TRANSISTOR	D3003			RD33ES/B2/-T2	ZENER DIODE
			or 2SD1819A/QRS/-X	TRANSISTOR				or MTZJ33C	ZENER DIODE
			or 2PC4081/R/-X	TRANSISTOR					

0Ω, 1/10W

#	△ REF No.	PART No.	PART NAME, DESCRIPTION	#	△ REF No.	PART No.	PART NAME, DESCRIPTION
D3004		11ES2	DIODE	R311		NRSA02J-332X	MG RESISTOR 3.3kΩ,1/10W
		or 1A3G	DIODE	R312		NRSA02J-272X	MG RESISTOR 2.7kΩ,1/10W
D3005		11ES2	DIODE	R313		NRSA02J-223X	MG RESISTOR 22kΩ,1/10W
		or 1A3G	DIODE	R314		NRSA02J-243X	MG RESISTOR 24kΩ,1/10W
D3007		NRSA02J-0R0X	MG RESISTOR 0Ω,1/10W	R315		NRSA02J-564X	MG RESISTOR 560kΩ,1/10W
D3008		1SS355	DIODE	R316		NRSA02J-124X	MG RESISTOR 120kΩ,1/10W
D4001		1SS355	DIODE	R328		NRSA02J-153X	MG RESISTOR 15kΩ,1/10W
D4002		1SS355	DIODE	R329		NRSA02J-103X	MG RESISTOR 10kΩ,1/10W
D6002		HZ30-2L-T2	ZENER DIODE	R401		NRSA02J-221X	MG RESISTOR 220Ω,1/10W
		or HZ30-2LTD	Z DIODE (M)	R402		NRSA02J-681X	MG RESISTOR 680Ω,1/10W
R1		NRVA02D-682X	CMF RESISTOR 6.8kΩ,1/10W	R403		NRSA02J-561X	MG RESISTOR 560Ω,1/10W
R2		NRVA02D-152X	CMF RESISTOR 1.5kΩ,1/10W	R404		NRSA02J-473X	MG RESISTOR 47kΩ,1/10W
R4		NRSA02J-0R0X	MG RESISTOR 0Ω,1/10W	R405		NRSA02J-683X	MG RESISTOR 68kΩ,1/10W
R5		NRSA02J-0R0X	MG RESISTOR 0Ω,1/10W	R406		NRSA02J-393X	MG RESISTOR 39kΩ,1/10W
R6		NRSA02J-273X	MG RESISTOR 27kΩ,1/10W	R407		NRSA02J-472X	MG RESISTOR 4.7kΩ,1/10W
R7		NRSA02J-681X	MG RESISTOR 680Ω,1/10W	R408		NRSA02J-473X	MG RESISTOR 47kΩ,1/10W
R8		NRSA02J-0R0X	MG RESISTOR 0Ω,1/10W	R409		NRSA02J-103X	MG RESISTOR 10kΩ,1/10W
R9		NRSA02J-0R0X	MG RESISTOR 0Ω,1/10W	R704		NRSA02J-333X	MG RESISTOR 33kΩ,1/10W
R21		NRSA02J-222X	MG RESISTOR 2.2kΩ,1/10W	R705		NRSA02J-223X	MG RESISTOR 22kΩ,1/10W
R22		NRSA02J-222X	MG RESISTOR 2.2kΩ,1/10W	R706		NRVA02D-271X	CMF RESISTOR 270Ω,1/10W
R23		NRSA02J-182X	MG RESISTOR 1.8kΩ,1/10W	R707		NRVA02D-561X	CMF RESISTOR 560Ω,1/10W
R24		NRSA02J-331X	MG RESISTOR 330Ω,1/10W	R710		NRSA02J-561X	MG RESISTOR 560Ω,1/10W
R25		NRSA02J-103X	MG RESISTOR 10kΩ,1/10W	R711		NRSA02J-820X	MG RESISTOR 82Ω,1/10W
R26		NRSA02J-682X	MG RESISTOR 6.8kΩ,1/10W	R712		NRSA02J-682X	MG RESISTOR 6.8kΩ,1/10W
R27		NRSA02J-221X	MG RESISTOR 220Ω,1/10W	R713		NRSA02J-392X	MG RESISTOR 3.9kΩ,1/10W
R28		NRSA02J-221X	MG RESISTOR 220Ω,1/10W	R714		NRSA02J-152X	MG RESISTOR 1.5kΩ,1/10W
R29		NRSA02J-681X	MG RESISTOR 680Ω,1/10W	R716		NRSA02J-152X	MG RESISTOR 1.5kΩ,1/10W
R30		NRSA02J-0R0X	MG RESISTOR 0Ω,1/10W	R717		NRSA02J-0R0X	MG RESISTOR 0Ω,1/10W
R31		NRSA02J-152X	MG RESISTOR 1.5kΩ,1/10W	R718		NRVA02D-271X	CMF RESISTOR 270Ω,1/10W
R32		NRSA02J-471X	MG RESISTOR 470Ω,1/10W	R719		NRVA02D-471X	CMF RESISTOR 470Ω,1/10W
R33		NDC21HJ-8R0X	CAPACITOR 8pF,50V	R720		NRSA02J-222X	MG RESISTOR 2.2kΩ,1/10W
R34		NDC21HJ-390X	CAPACITOR 39pF,50V	R721		NRSA02J-222X	MG RESISTOR 2.2kΩ,1/10W
R36		NRSA02J-182X	MG RESISTOR 1.8kΩ,1/10W	R722		NRVA02D-471X	CMF RESISTOR 470Ω,1/10W
R38		NRSA02J-102X	MG RESISTOR 1kΩ,1/10W	R723		NRVA02D-471X	CMF RESISTOR 470Ω,1/10W
R40		NRSA02J-222X	MG RESISTOR 2.2kΩ,1/10W	R724		NRSA02J-102X	MG RESISTOR 1kΩ,1/10W
R41		NRSA02J-392X	MG RESISTOR 3.9kΩ,1/10W	R725		NRSA02J-105X	MG RESISTOR 1MΩ,1/10W
R42		NRSA02J-681X	MG RESISTOR 680Ω,1/10W	R726		NCB21HK-103X	CAPACITOR 0.01μF,50V
R46		NRSA02J-271X	MG RESISTOR 270Ω,1/10W	R727		NRSA02J-105X	MG RESISTOR 1MΩ,1/10W
R47		NRSA02J-821X	MG RESISTOR 820Ω,1/10W	R767		NRSA02J-0R0X	MG RESISTOR 0Ω,1/10W
R48		NRSA02J-102X	MG RESISTOR 1kΩ,1/10W	R768		NRSA02J-0R0X	MG RESISTOR 0Ω,1/10W
R51		NRSA02J-122X	MG RESISTOR 1.2kΩ,1/10W	R769		NRSA02J-122X	MG RESISTOR 1.2kΩ,1/10W
R68		NRSA02J-222X	MG RESISTOR 2.2kΩ,1/10W	R770		NRSA02J-471X	MG RESISTOR 470Ω,1/10W
R70		NRSA02J-0R0X	MG RESISTOR 0Ω,1/10W	R771		NRSA02J-471X	MG RESISTOR 470Ω,1/10W
R77		NRSA02J-103X	MG RESISTOR 10kΩ,1/10W	R772		NRSA02J-102X	MG RESISTOR 1kΩ,1/10W
R84		NRSA02J-103X	MG RESISTOR 10kΩ,1/10W	R773		NRSA02J-223X	MG RESISTOR 22kΩ,1/10W
R88		NRSA02J-0R0X	MG RESISTOR 0Ω,1/10W	R774		NRSA02J-274X	MG RESISTOR 270kΩ,1/10W
R90		NRSA02J-391X	MG RESISTOR 390Ω,1/10W	R775		NRSA02J-183X	MG RESISTOR 18kΩ,1/10W
R92		NRSA02J-152X	MG RESISTOR 1.5kΩ,1/10W	R776		NRSA02J-0R0X	MG RESISTOR 0Ω,1/10W
R93		NRSA02J-222X	MG RESISTOR 2.2kΩ,1/10W	R777		NRSA02J-0R0X	MG RESISTOR 0Ω,1/10W
R104		NRSA02J-682X	MG RESISTOR 6.8kΩ,1/10W	R778		NRSA02J-102X	MG RESISTOR 1kΩ,1/10W
R113		NRSA02J-101X	MG RESISTOR 100Ω,1/10W	R779		NRSA02J-102X	MG RESISTOR 1kΩ,1/10W
R114		NRSA02J-104X	MG RESISTOR 100kΩ,1/10W	R780		NRSA02J-122X	MG RESISTOR 1.2kΩ,1/10W
R301		NRSA02J-273X	MG RESISTOR 27kΩ,1/10W	R781		NRSA02J-102X	MG RESISTOR 1kΩ,1/10W
R302		NRSA02J-124X	MG RESISTOR 120kΩ,1/10W	R782		NRSA02J-220X	MG RESISTOR 22Ω,1/10W
R303		NRSA02J-273X	MG RESISTOR 27kΩ,1/10W	R783		NRSA02J-102X	MG RESISTOR 1kΩ,1/10W
R304		NRSA02J-682X	MG RESISTOR 6.8kΩ,1/10W	R784		NRSA02J-0R0X	MG RESISTOR 0Ω,1/10W
R305		NRSA02J-473X	MG RESISTOR 47kΩ,1/10W	VR701		QVP0039-333Z	TRIM RESISTOR,DV AGC
R306		NRSA02J-273X	MG RESISTOR 27kΩ,1/10W	R2003		NRSA02J-101X	MG RESISTOR 100Ω,1/10W
R307		NRSA02J-0R0X	MG RESISTOR 0Ω,1/10W	R2004		NRSA02J-332X	MG RESISTOR 3.3kΩ,1/10W
R309		NRSA02J-0R0X	MG RESISTOR 0Ω,1/10W	R2005		NRSA02J-0R0X	MG RESISTOR 0Ω,1/10W
R310		NRSA02J-223X	MG RESISTOR 22kΩ,1/10W	R2006		NRSA02J-393X	MG RESISTOR 39kΩ,1/10W

#	△	REF No.	PART No.	PART NAME, DESCRIPTION	#	△	REF No.	PART No.	PART NAME, DESCRIPTION
R2007			NRSA02J-393X	MG RESISTOR	R2613			NRSA02J-102X	MG RESISTOR
R2008			NRSA02J-123X	MG RESISTOR	R2614			NRSA02J-103X	MG RESISTOR
R2009			NRSA02J-123X	MG RESISTOR	R2616			NRSA02J-102X	MG RESISTOR
R2010			NRSA02J-123X	MG RESISTOR	R2617			NRSA02J-102X	MG RESISTOR
R2011			NRSA02J-103X	MG RESISTOR	R2618			NRSA02J-102X	MG RESISTOR
R2012			NRSA02J-153X	MG RESISTOR	R2623			NRSA02J-223X	MG RESISTOR
R2013			NRSA02J-682X	MG RESISTOR	R2624			NRSA02J-562X	MG RESISTOR
R2014			NRSA02J-224X	MG RESISTOR	R2625			NRSA02J-562X	MG RESISTOR
R2015			NRSA02J-181X	MG RESISTOR	R2626			NRSA02J-223X	MG RESISTOR
R2016			NRSA02J-393X	MG RESISTOR	R2627			NRSA02J-102X	MG RESISTOR
R2017			NRSA02J-153X	MG RESISTOR	R2629			NRSA02J-102X	MG RESISTOR
R2018			NRSA02J-472X	MG RESISTOR	R2630			NRSA02J-102X	MG RESISTOR
R2019			NRSA02J-472X	MG RESISTOR	R2631			NRSA02J-103X	MG RESISTOR
R2020			NRSA02J-102X	MG RESISTOR	R2632			NRSA02J-102X	MG RESISTOR
R2053			NRSA02J-332X	MG RESISTOR	R2633			NRSA02J-102X	MG RESISTOR
R2054			NRSA02J-153X	MG RESISTOR	R2634			NRSA02J-102X	MG RESISTOR
R2055			NRSA02J-3R3X	MG RESISTOR	R2636			NRSA02J-103X	MG RESISTOR
R2056			NRSA02J-101X	MG RESISTOR	R2637			NRSA02J-105X	MG RESISTOR
R2057			NRSA02J-473X	MG RESISTOR	R2638			NRSA02J-105X	MG RESISTOR
R2058			NRSA02J-183X	MG RESISTOR	R2651			NRSA02J-102X	MG RESISTOR
R2059			NRSA02J-473X	MG RESISTOR	R2652			NRSA02J-102X	MG RESISTOR
R2060			NRSA02J-183X	MG RESISTOR	R2653			NRSA02J-102X	MG RESISTOR
R2061			NRSA02J-273X	MG RESISTOR	R2654			NRSA02J-102X	MG RESISTOR
R2062			NRSA02J-3R3X	MG RESISTOR	R2655			NRSA02J-103X	MG RESISTOR
R2063			NRSA02J-151X	MG RESISTOR	R2656			NRSA02J-102X	MG RESISTOR
R2064			NRSA02J-473X	MG RESISTOR	R2657			NRSA02J-102X	MG RESISTOR
R2065			NRSA02J-183X	MG RESISTOR	R2658			NRSA02J-102X	MG RESISTOR
R2121			QRE141J-151Y	RESISTOR	R2659			NRSA02J-102X	MG RESISTOR
R2206			NRSA02J-101X	MG RESISTOR	R2660			NRSA02J-221X	MG RESISTOR
R2207			NRSA02J-332X	MG RESISTOR	R2661			NRSA02J-103X	MG RESISTOR
R2208			NRSA02J-101X	MG RESISTOR	R2662			NRSA02J-221X	MG RESISTOR
R2209			NRSA02J-101X	MG RESISTOR	R2663			NRSA02J-103X	MG RESISTOR
R2210			NRSA02J-103X	MG RESISTOR	R2664			NRSA02J-221X	MG RESISTOR
R2211			NRSA02J-103X	MG RESISTOR	R2665			NRSA02J-103X	MG RESISTOR
R2213			NRSA02J-393X	MG RESISTOR	R2666			NRSA02J-221X	MG RESISTOR
R2215			NRSA02J-153X	MG RESISTOR	R2667			NRSA02J-103X	MG RESISTOR
R2217			NRSA02J-0R0X	MG RESISTOR	R2681			NRSA02J-221X	MG RESISTOR
R2218			NRSA02J-393X	MG RESISTOR	R2682			NRSA02J-103X	MG RESISTOR
R2219			NRSA02J-393X	MG RESISTOR	R2683			NRSA02J-222X	MG RESISTOR
R2220			NRSA02J-393X	MG RESISTOR	R2684			NRSA02J-103X	MG RESISTOR
R2222			NRSA02J-123X	MG RESISTOR	R2685			NRSA02J-222X	MG RESISTOR
R2223			NRSA02J-123X	MG RESISTOR	R2686			NRSA02J-103X	MG RESISTOR
R2224			NRSA02J-123X	MG RESISTOR	R2687			NRSA02J-221X	MG RESISTOR
R2225			NRSA02J-153X	MG RESISTOR	R2688			NRSA02J-221X	MG RESISTOR
R2226			NRSA02J-123X	MG RESISTOR	R2689			NRSA02J-0R0X	MG RESISTOR
R2227			NRSA02J-123X	MG RESISTOR	R2691			NRSA02J-221X	MG RESISTOR
R2228			NRSA02J-103X	MG RESISTOR	R2692			NRSA02J-121X	MG RESISTOR
R2229			NRSA02J-563X	MG RESISTOR	R3011			NRSA02J-0R0X	MG RESISTOR
R2251			NRSA02J-102X	MG RESISTOR	R3012			NRSA02J-0R0X	MG RESISTOR
R2252			NRSA02J-472X	MG RESISTOR	R3013			NRSA02J-0R0X	MG RESISTOR
R2601			NRSA02J-102X	MG RESISTOR	R3016			NRSA02J-0R0X	MG RESISTOR
R2602			NRSA02J-102X	MG RESISTOR	R3018			NRSA02J-472X	MG RESISTOR
R2603			NRSA02J-102X	MG RESISTOR	R3019			NRSA02J-682X	MG RESISTOR
R2604			NRSA02J-102X	MG RESISTOR	R3021			NRSA02J-0R0X	MG RESISTOR
R2605			NRSA02J-103X	MG RESISTOR	R3022			NRSA02J-0R0X	MG RESISTOR
R2606			NRSA02J-102X	MG RESISTOR	R3025			NRSA02J-0R0X	MG RESISTOR
R2607			NRSA02J-102X	MG RESISTOR	R3026			NRSA02J-0R0X	MG RESISTOR
R2608			NRSA02J-102X	MG RESISTOR	R3027			NRSA02J-0R0X	MG RESISTOR
R2609			NRSA02J-102X	MG RESISTOR	R3029			NRSA02J-472X	MG RESISTOR
R2610			NRSA02J-102X	MG RESISTOR	R3030			NRSA02J-472X	MG RESISTOR
R2611			NRSA02J-102X	MG RESISTOR	R3031			NRSA02J-0R0X	MG RESISTOR

#	△ REF No.	PART No.	PART NAME, DESCRIPTION	#	△ REF No.	PART No.	PART NAME, DESCRIPTION
R3033		NRSA02J-102X	MG RESISTOR 1kΩ,1/10W	R3213		NRSA02J-334X	MG RESISTOR 330kΩ,1/10W
R3034		NRSA02J-0R0X	MG RESISTOR 0Ω,1/10W	R3214		NRSA02J-103X	MG RESISTOR 10kΩ,1/10W
R3038		NRSA02J-152X	MG RESISTOR 1.5kΩ,1/10W	R3215		NRSA02J-103X	MG RESISTOR 10kΩ,1/10W
R3040		NRSA02J-0R0X	MG RESISTOR 0Ω,1/10W	R3216		NRSA02J-103X	MG RESISTOR 10kΩ,1/10W
R3041		NRSA02J-0R0X	MG RESISTOR 0Ω,1/10W	R3217		NRSA02J-562X	MG RESISTOR 5.6kΩ,1/10W
R3042		NRSA02J-0R0X	MG RESISTOR 0Ω,1/10W	R3218		QRE141J-472Y	RESISTOR 4.7kΩ,1/4W
R3044		NRSA02J-0R0X	MG RESISTOR 0Ω,1/10W	R3219		NRSA02J-472X	MG RESISTOR 4.7kΩ,1/10W
R3046		NRSA02J-102X	MG RESISTOR 1kΩ,1/10W	R3220		NRSA02J-104X	MG RESISTOR 100kΩ,1/10W
R3047		NRSA02J-102X	MG RESISTOR 1kΩ,1/10W	R3222		NRSA02J-472X	MG RESISTOR 4.7kΩ,1/10W
R3048		NRSA02J-221X	MG RESISTOR 220Ω,1/10W	R3223		NRSA02J-472X	MG RESISTOR 4.7kΩ,1/10W
R3049		NRSA02J-0R0X	MG RESISTOR 0Ω,1/10W	R3224		NRSA02J-472X	MG RESISTOR 4.7kΩ,1/10W
R3050		NRSA02J-0R0X	MG RESISTOR 0Ω,1/10W	R3225		NRSA02J-103X	MG RESISTOR 10kΩ,1/10W
R3051		NRSA02J-471X	MG RESISTOR 470Ω,1/10W	R3229		NRSA02J-105X	MG RESISTOR 1MΩ,1/10W
R3052		NRSA02J-471X	MG RESISTOR 470Ω,1/10W	R3230		NRSA02J-472X	MG RESISTOR 4.7kΩ,1/10W
R3053		NRSA02J-471X	MG RESISTOR 470Ω,1/10W	R3231		NRSA02J-102X	MG RESISTOR 1kΩ,1/10W
R3054		NRSA02J-0R0X	MG RESISTOR 0Ω,1/10W	R3233		NRSA02J-103X	MG RESISTOR 10kΩ,1/10W
R3055		NRSA02J-0R0X	MG RESISTOR 0Ω,1/10W	R3234		NRSA02J-103X	MG RESISTOR 10kΩ,1/10W
R3056		NRSA02J-102X	MG RESISTOR 1kΩ,1/10W	R3235		NRSA02J-102X	MG RESISTOR 1kΩ,1/10W
R3057		NRSA02J-102X	MG RESISTOR 1kΩ,1/10W	R3236		NRSA02J-102X	MG RESISTOR 1kΩ,1/10W
R3058		NRSA02J-102X	MG RESISTOR 1kΩ,1/10W	R3238		NRSA02J-103X	MG RESISTOR 10kΩ,1/10W
R3059		NRSA02J-471X	MG RESISTOR 470Ω,1/10W	R3241		NRSA02J-104X	MG RESISTOR 100kΩ,1/10W
R3060		NRSA02J-471X	MG RESISTOR 470Ω,1/10W	R3245		NRSA02J-472X	MG RESISTOR 4.7kΩ,1/10W
R3061		NRSA02J-471X	MG RESISTOR 470Ω,1/10W	R3251		NRSA02J-103X	MG RESISTOR 10kΩ,1/10W
R3062		NRSA02J-103X	MG RESISTOR 10kΩ,1/10W	R3258		NRSA02J-472X	MG RESISTOR 4.7kΩ,1/10W
R3063		NRSA02J-472X	MG RESISTOR 4.7kΩ,1/10W	R3381		NRSA02J-0R0X	MG RESISTOR 0Ω,1/10W
R3066		NRSA02J-472X	MG RESISTOR 4.7kΩ,1/10W	R3601		NRSA02J-222X	MG RESISTOR 2.2kΩ,1/10W
R3069		NRSA02J-101X	MG RESISTOR 100Ω,1/10W	R3602		NRSA02J-222X	MG RESISTOR 2.2kΩ,1/10W
R3071		NRSA02J-103X	MG RESISTOR 10kΩ,1/10W	R3603		NRSA02J-222X	MG RESISTOR 2.2kΩ,1/10W
R3072		NRSA02J-0R0X	MG RESISTOR 0Ω,1/10W	R3604		NRSA02J-222X	MG RESISTOR 2.2kΩ,1/10W
R3073		NRSA02J-0R0X	MG RESISTOR 0Ω,1/10W	R3605		NRSA02J-222X	MG RESISTOR 2.2kΩ,1/10W
R3075		NRSA02J-471X	MG RESISTOR 470Ω,1/10W	R3606		NRSA02J-222X	MG RESISTOR 2.2kΩ,1/10W
R3076		NRSA02J-471X	MG RESISTOR 470Ω,1/10W	R3607		NRSA02J-222X	MG RESISTOR 2.2kΩ,1/10W
R3078		NRSA02J-102X	MG RESISTOR 1kΩ,1/10W	R3608		NRSA02J-222X	MG RESISTOR 2.2kΩ,1/10W
R3079		NRSA02J-102X	MG RESISTOR 1kΩ,1/10W	R3609		NRSA02J-222X	MG RESISTOR 2.2kΩ,1/10W
R3083		NRSA02J-0R0X	MG RESISTOR 0Ω,1/10W	R3610		NRSA02J-222X	MG RESISTOR 2.2kΩ,1/10W
R3085		NRSA02J-0R0X	MG RESISTOR 0Ω,1/10W	R3611		NRSA02J-222X	MG RESISTOR 2.2kΩ,1/10W
R3086		NRSA02J-0R0X	MG RESISTOR 0Ω,1/10W	R3612		NRSA02J-103X	MG RESISTOR 10kΩ,1/10W
R3087		NRSA02J-0R0X	MG RESISTOR 0Ω,1/10W	R3613		NRSA02J-103X	MG RESISTOR 10kΩ,1/10W
R3088		NRSA02J-0R0X	MG RESISTOR 0Ω,1/10W	R3616		NRSA02J-0R0X	MG RESISTOR 0Ω,1/10W
R3089		NRSA02J-0R0X	MG RESISTOR 0Ω,1/10W	R3618		NRSA02J-102X	MG RESISTOR 1kΩ,1/10W
R3091		NRSA02J-102X	MG RESISTOR 1kΩ,1/10W	R4001		NRSA02J-472X	MG RESISTOR 4.7kΩ,1/10W
R3094		NRSA02J-0R0X	MG RESISTOR 0Ω,1/10W	R4003		NRSA02J-561X	MG RESISTOR 560Ω,1/10W
R3095		NRSA02J-0R0X	MG RESISTOR 0Ω,1/10W	R4004		NRSA02J-561X	MG RESISTOR 560Ω,1/10W
R3096		NRSA02J-0R0X	MG RESISTOR 0Ω,1/10W	R4005		NRSA02J-562X	MG RESISTOR 5.6kΩ,1/10W
R3097		NRSA02J-0R0X	MG RESISTOR 0Ω,1/10W	R4007		NRSA02J-102X	MG RESISTOR 1kΩ,1/10W
R3103		NRSA02J-102X	MG RESISTOR 1kΩ,1/10W	R4008		NRSA02J-102X	MG RESISTOR 1kΩ,1/10W
R3104		NRSA02J-102X	MG RESISTOR 1kΩ,1/10W	R4009		NRSA02J-102X	MG RESISTOR 1kΩ,1/10W
R3105		NRSA02J-0R0X	MG RESISTOR 0Ω,1/10W	R4010		NRSA02J-102X	MG RESISTOR 1kΩ,1/10W
R3106		NRSA02J-102X	MG RESISTOR 1kΩ,1/10W	R4011		NRSA02J-222X	MG RESISTOR 2.2kΩ,1/10W
R3201		NRSA02J-103X	MG RESISTOR 10kΩ,1/10W	R4012		NRSA02J-222X	MG RESISTOR 2.2kΩ,1/10W
R3202		NRSA02J-472X	MG RESISTOR 4.7kΩ,1/10W	R4013		NRSA02J-102X	MG RESISTOR 1kΩ,1/10W
R3203		NRSA02J-103X	MG RESISTOR 10kΩ,1/10W	R4014		NRSA02J-222X	MG RESISTOR 2.2kΩ,1/10W
R3204		NRSA02J-222X	MG RESISTOR 2.2kΩ,1/10W	R4015		NRSA02J-223X	MG RESISTOR 22kΩ,1/10W
R3205		QRE141J-181Y	RESISTOR 180Ω,1/4W	R4016		NRSA02J-103X	MG RESISTOR 10kΩ,1/10W
R3206		NRSA02J-183X	MG RESISTOR 18kΩ,1/10W	R4017		NRSA02J-102X	MG RESISTOR 1kΩ,1/10W
R3207		NRSA02J-183X	MG RESISTOR 18kΩ,1/10W	R4018		NRSA02J-102X	MG RESISTOR 1kΩ,1/10W
R3208		NRSA02J-181X	MG RESISTOR 180Ω,1/10W	R4019		NRSA02J-103X	MG RESISTOR 10kΩ,1/10W
R3209		NRSA02J-273X	MG RESISTOR 27kΩ,1/10W	R4020		NRSA02J-103X	MG RESISTOR 10kΩ,1/10W
R3210		NRSA02J-181X	MG RESISTOR 180Ω,1/10W	R4021		NRSA02J-103X	MG RESISTOR 10kΩ,1/10W
R3211		NRSA02J-273X	MG RESISTOR 27kΩ,1/10W	R6020		NRSA02J-471X	MG RESISTOR 470Ω,1/10W
R3212		NRSA02J-474X	MG RESISTOR 470kΩ,1/10W	R6021		NRSA02J-471X	MG RESISTOR 470Ω,1/10W

#	△	REF No.	PART No.	PART NAME, DESCRIPTION	#	△	REF No.	PART No.	PART NAME, DESCRIPTION
R6022			NRSA02J-471X	MG RESISTOR 470Ω,1/10W	B7512			NRSA02J-0R0X	MG RESISTOR 0Ω,1/10W
R6030			NRSA02J-102X	MG RESISTOR 1kΩ,1/10W	B7514			NRSA02J-0R0X	MG RESISTOR 0Ω,1/10W
R6031			NRSA02J-0R0X	MG RESISTOR 0Ω,1/10W	B7516			NRSA02J-0R0X	MG RESISTOR 0Ω,1/10W
R6032			NRSA02J-332X	MG RESISTOR 3.3kΩ,1/10W	B7518			NRSA02J-0R0X	MG RESISTOR 0Ω,1/10W
R6033			NRSA02J-182X	MG RESISTOR 1.8kΩ,1/10W	B7519			NRSA02J-0R0X	MG RESISTOR 0Ω,1/10W
R6060			NRSA02J-103X	MG RESISTOR 10kΩ,1/10W	C1			NCB21EK-103X	CAPACITOR 0.01μF,25V
R6061			NRSA02J-103X	MG RESISTOR 10kΩ,1/10W	C2			NCB21EK-103X	CAPACITOR 0.01μF,25V
R6508			NRSA02J-0R0X	MG RESISTOR 0Ω,1/10W	C3			NCB21EK-103X	CAPACITOR 0.01μF,25V
R6510			NRSA02J-0R0X	MG RESISTOR 0Ω,1/10W	C4			NCB21EK-103X	CAPACITOR 0.01μF,25V
R6553			NRSA02J-0R0X	MG RESISTOR 0Ω,1/10W	C5			QEKJ0JM-476	E CAPACITOR 47μF,6.3V
R6554			NRSA02J-0R0X	MG RESISTOR 0Ω,1/10W	C6			NCB11EK-104X	CAPACITOR 0.1μF,25V
R7505			NRSA02J-221X	MG RESISTOR 220Ω,1/10W	C7			NCB21HK-102X	CAPACITOR 0.001μF,50V
R7506			NRSA02J-472X	MG RESISTOR 4.7kΩ,1/10W	C8			NCB21EK-104X	CAPACITOR 0.1μF,25V
R7507			QRE121J-100Y	RESISTOR 10Ω,1/2W	C9			QEKJ1HM-225	E CAPACITOR 2.2μF,50V
R7512			NRSA02J-562X	MG RESISTOR 5.6kΩ,1/10W	C10			NDC21HG-151X	CAPACITOR 150pF,50V
B8			NRSA02J-0R0X	MG RESISTOR 0Ω,1/10W	C11			NCB21EK-104X	CAPACITOR 0.1μF,25V
B18			NRSA02J-0R0X	MG RESISTOR 0Ω,1/10W	C14			NCB21EK-104X	CAPACITOR 0.1μF,25V
B22			NRSA02J-103X	MG RESISTOR 10kΩ,1/10W	C15			NCB21EK-103X	CAPACITOR 0.01μF,25V
B26			NRSA02J-0R0X	MG RESISTOR 0Ω,1/10W	C16			NCB11EK-104X	CAPACITOR 0.1μF,25V
B37			NRSA02J-0R0X	MG RESISTOR 0Ω,1/10W	C17			QEKJ1HM-335	E CAPACITOR 3.3μF,50V
B38			NRSA02J-0R0X	MG RESISTOR 0Ω,1/10W	C19			QEKJ1HM-225	E CAPACITOR 2.2μF,50V
B42			NRSA02J-0R0X	MG RESISTOR 0Ω,1/10W	C20			QEKJ1HM-105	E CAPACITOR 1μF,50V
B46			NRSA02J-0R0X	MG RESISTOR 0Ω,1/10W	C21			NCB21EK-104X	CAPACITOR 0.1μF,25V
B49			NRSA02J-0R0X	MG RESISTOR 0Ω,1/10W	C22			QEKJ0JM-476	E CAPACITOR 47μF,6.3V
B50			NRSA02J-0R0X	MG RESISTOR 0Ω,1/10W	C23			NCB21EK-104X	CAPACITOR 0.1μF,25V
B55			NRSA02J-0R0X	MG RESISTOR 0Ω,1/10W	C24			NCB21EK-104X	CAPACITOR 0.1μF,25V
B56			NRSA02J-0R0X	MG RESISTOR 0Ω,1/10W	C25			NDC21HJ-6R0X	CAPACITOR 6pF,50V
B57			NRSA02J-0R0X	MG RESISTOR 0Ω,1/10W	C26			NCB21EK-104X	CAPACITOR 0.1μF,25V
B701			NRSA02J-0R0X	MG RESISTOR 0Ω,1/10W	C27			NCB21HK-223X	CAPACITOR 0.022μF,50V
B710			NRSA02J-0R0X	MG RESISTOR 0Ω,1/10W	C28			QEKJ1HM-335	E CAPACITOR 3.3μF,50V
B714			NRSA02J-0R0X	MG RESISTOR 0Ω,1/10W	C29			NCB21EK-333X	CAPACITOR 0.033μF,25V
B715			NRSA02J-0R0X	MG RESISTOR 0Ω,1/10W	C30			NCB21CK-474X	CAPACITOR 0.47μF,16V
B717			NRSA02J-0R0X	MG RESISTOR 0Ω,1/10W	C31			QEKJ0JM-476	E CAPACITOR 47μF,6.3V
B730			NRSA02J-0R0X	MG RESISTOR 0Ω,1/10W	C33			QEKJ1HM-225	E CAPACITOR 2.2μF,50V
B734			NRSA02J-0R0X	MG RESISTOR 0Ω,1/10W	C34			NCB21EK-104X	CAPACITOR 0.1μF,25V
B737			NRSA02J-0R0X	MG RESISTOR 0Ω,1/10W	C35			NCB21HK-103X	CAPACITOR 0.01μF,50V
B740			NRSA02J-0R0X	MG RESISTOR 0Ω,1/10W	C36			QEKJ1EM-475	E CAPACITOR 4.7μF,25V
B2011			NRSA02J-0R0X	MG RESISTOR 0Ω,1/10W	C37			NCB21AK-105X	CAPACITOR 1μF,10V
B2601			NRSA02J-0R0X	MG RESISTOR 0Ω,1/10W	C38			QEKJ0JM-476	E CAPACITOR 47μF,6.3V
B2602			NRSA02J-0R0X	MG RESISTOR 0Ω,1/10W	C39			NCB21EK-104X	CAPACITOR 0.1μF,25V
B2607			NRSA02J-0R0X	MG RESISTOR 0Ω,1/10W	C40			QEKJ1CM-106	E CAPACITOR 10μF,16V
B2608			NRSA02J-0R0X	MG RESISTOR 0Ω,1/10W	C53			NDC21HJ-101X	CAPACITOR 100pF,50V
B2610			NRSA02J-0R0X	MG RESISTOR 0Ω,1/10W	C59			NCB21EK-104X	CAPACITOR 0.1μF,25V
B3011			NQR0227-003X	FERRITE CORE	C60			QEKJ0JM-476	E CAPACITOR 47μF,6.3V
B3013			NRSA02J-101X	MG RESISTOR 100Ω,1/10W	C61			NCB21HK-103X	CAPACITOR 0.01μF,50V
B3014			NQR0227-003X	FERRITE CORE	C63			NCB21EK-104X	CAPACITOR 0.1μF,25V
B3017			NRSA02J-0R0X	MG RESISTOR 0Ω,1/10W	C64			NDC21HJ-220X	CAPACITOR 22pF,50V
B3018			NRSA02J-0R0X	MG RESISTOR 0Ω,1/10W	C65			QEKJ1HM-105	E CAPACITOR 1μF,50V
B3019			NRSA02J-102X	MG RESISTOR 1kΩ,1/10W	C69			NCB21EK-104X	CAPACITOR 0.1μF,25V
B3021			NRSA02J-0R0X	MG RESISTOR 0Ω,1/10W	C70			NCB21EK-104X	CAPACITOR 0.1μF,25V
B3022			NRSA02J-0R0X	MG RESISTOR 0Ω,1/10W	C72			NDC21HJ-470X	CAPACITOR 47pF,50V
B3023			NRSA02J-0R0X	MG RESISTOR 0Ω,1/10W	C73			NDC21HJ-120X	CAPACITOR 12pF,50V
B3025			NRSA02J-0R0X	MG RESISTOR 0Ω,1/10W	C76			NCB21HK-103X	CAPACITOR 0.01μF,50V
B3027			NRSA02J-0R0X	MG RESISTOR 0Ω,1/10W	C77			NCB21HK-103X	CAPACITOR 0.01μF,50V
B6001			NRSA02J-0R0X	MG RESISTOR 0Ω,1/10W	C78			NCB21HK-103X	CAPACITOR 0.01μF,50V
B6032			NRSA02J-0R0X	MG RESISTOR 0Ω,1/10W	C79			NDC21HJ-390X	CAPACITOR 39pF,50V
B6565			NRSA02J-0R0X	MG RESISTOR 0Ω,1/10W	C80			NCB21HK-103X	CAPACITOR 0.01μF,50V
B6566			NRSA02J-0R0X	MG RESISTOR 0Ω,1/10W	C84			NRSA02J-682X	MG RESISTOR 6.8kΩ,1/10W
B7503			NRSA02J-0R0X	MG RESISTOR 0Ω,1/10W	C93			NDC21HJ-220X	CAPACITOR 22pF,50V
B7509			NRSA02J-0R0X	MG RESISTOR 0Ω,1/10W	C94			NRSA02J-0R0X	MG RESISTOR 0Ω,1/10W
B7510			NRSA02J-0R0X	MG RESISTOR 0Ω,1/10W	C103			NCB21HK-103X	CAPACITOR 0.01μF,50V

#	△ REF No.	PART No.	PART NAME, DESCRIPTION	#	△ REF No.	PART No.	PART NAME, DESCRIPTION
C106		NCB21HK-821X	CAPACITOR 820pF,50V	C772		NCB21HK-103X	CAPACITOR 0.01μF,50V
C108		NDC21HJ-680X	CAPACITOR 68pF,50V	C773		NDC21HJ-470X	CAPACITOR 47pF,50V
C109		NCB21CK-224X	CAPACITOR 0.22μF,16V	C774		QEKJ1CM-106	E CAPACITOR 10μF,16V
C110		NDC21HJ-820X	CAPACITOR 82pF,50V	C776		NCB21HK-103X	CAPACITOR 0.01μF,50V
C114		NDC21HJ-181X	CAPACITOR 180pF,50V	C777		QEKJ1CM-106	E CAPACITOR 10μF,16V
C131		NCB21HK-103X	CAPACITOR 0.01μF,50V	C779		NDC21HJ-150X	CAPACITOR 15pF,50V
C301		NDC21HJ-151X	CAPACITOR 150pF,50V	C780		NCB21HK-103X	CAPACITOR 0.01μF,50V
C302		QEKJ1HM-225	E CAPACITOR 2.2μF,50V	C781		QEKJ0JM-476	E CAPACITOR 47μF,6.3V
C303		NCB21HK-682X	CAPACITOR 0.0068μF,50V	C782		NCB21HK-103X	CAPACITOR 0.01μF,50V
C304		NCB21HK-682X	CAPACITOR 0.0068μF,50V	C783		QEKJ1CM-106	E CAPACITOR 10μF,16V
C305		NCB21HK-103X	CAPACITOR 0.01μF,50V	C784		QEKJ1HM-225	E CAPACITOR 2.2μF,50V
C307		NDC21HJ-151X	CAPACITOR 150pF,50V	C785		NDC21HJ-680X	CAPACITOR 68pF,50V
C308		NCB21HK-103X	CAPACITOR 0.01μF,50V	C786		QEKJ1CM-106	E CAPACITOR 10μF,16V
C309		NCB21EK-104X	CAPACITOR 0.1μF,25V	C788		NCB21HK-103X	CAPACITOR 0.01μF,50V
C310		NCB21HK-103X	CAPACITOR 0.01μF,50V	C790		NCB21HK-103X	CAPACITOR 0.01μF,50V
C312		NCB21HK-102X	CAPACITOR 0.001μF,50V	C791		QEKJ0JM-476	E CAPACITOR 47μF,6.3V
C313		NCB21CK-474X	CAPACITOR 0.47μF,16V	C794		QEKJ1HM-225	E CAPACITOR 2.2μF,50V
C315		NCB21AK-105X	CAPACITOR 1μF,10V	C795		QEKJ1HM-225	E CAPACITOR 2.2μF,50V
C316		NCB21HK-103X	CAPACITOR 0.01μF,50V	C796		NCB21HK-103X	CAPACITOR 0.01μF,50V
C317		NDC21HJ-681X	CAPACITOR 680pF,50V	C797		QEKJ1HM-225	E CAPACITOR 2.2μF,50V
C318		NCB21EK-223X	CAPACITOR 0.022μF,25V	C799		QEKJ0JM-476	E CAPACITOR 47μF,6.3V
C319		NCB21AK-105X	CAPACITOR 1μF,10V	C800		NCB21HK-103X	CAPACITOR 0.01μF,50V
C320		NCB21HK-103X	CAPACITOR 0.01μF,50V	C801		NCB21HK-103X	CAPACITOR 0.01μF,50V
C321		NDC21HG-301X	CAPACITOR 300pF,50V	C802		NCB21HK-103X	CAPACITOR 0.01μF,50V
C322		NCB21CK-474X	CAPACITOR 0.47μF,16V	C803		NCB21HK-103X	CAPACITOR 0.01μF,50V
C323		QEKJ0JM-476	E CAPACITOR 47μF,6.3V	C804		NCB21HK-103X	CAPACITOR 0.01μF,50V
C401		NCB21HK-103X	CAPACITOR 0.01μF,50V	C805		NCB21HK-103X	CAPACITOR 0.01μF,50V
C402		NCB21HK-223X	CAPACITOR 0.022μF,50V	C806		NCB21HK-103X	CAPACITOR 0.01μF,50V
C403		NDC21HJ-131X	CAPACITOR 130pF,50V	C2001		QETJ1HM-475	E CAPACITOR 4.7μF,50V
C404		NDC21HJ-470X	CAPACITOR 47pF,50V	C2002		QEKJ1CM-106	E CAPACITOR 10μF,16V
C406		NCB21HK-102X	CAPACITOR 0.001μF,50V	C2003		QEKJ0JM-476	E CAPACITOR 47μF,6.3V
C407		NDC21HJ-150X	CAPACITOR 15pF,50V	C2004		NCB21HK-103X	CAPACITOR 0.01μF,50V
C704		NCB21HK-103X	CAPACITOR 0.01μF,50V	C2005		QEKJ1EM-475	E CAPACITOR 4.7μF,25V
C706		QEKJ0JM-476	E CAPACITOR 47μF,6.3V	C2006		NCB21HK-123X	CAPACITOR 0.012μF,50V
C708		NCB21HK-103X	CAPACITOR 0.01μF,50V	C2007		QEKJ1CM-226	E CAPACITOR 22μF,16V
C709		QEKJ0JM-337	E CAPACITOR 330μF,6.3V	C2008		QEKJ1EM-475	E CAPACITOR 4.7μF,25V
C710		NCB21HK-103X	CAPACITOR 0.01μF,50V	C2009		NCB21HK-122X	CAPACITOR 0.0012μF,50V
C712		NCB21HK-103X	CAPACITOR 0.01μF,50V	C2010		NCB21HK-152X	CAPACITOR 0.0015μF,50V
C713		NCB21HK-103X	CAPACITOR 0.01μF,50V	C2011		QEKJ1EM-475	E CAPACITOR 4.7μF,25V
C714		NCB21HK-103X	CAPACITOR 0.01μF,50V	C2012		QEKJ1EM-475	E CAPACITOR 4.7μF,25V
C715		QEKJ1CM-226	E CAPACITOR 22μF,16V	C2013		NCB21HK-331X	CAPACITOR 330pF,50V
C718		QEKJ1HM-225	E CAPACITOR 2.2μF,50V	C2051		NCB21HK-331X	CAPACITOR 330pF,50V
C719		NCB21HK-103X	CAPACITOR 0.01μF,50V	C2052		QFLC1HJ-333Z	F CAPACITOR 0.033μF,50V
C720		QEKJ1HM-225	E CAPACITOR 2.2μF,50V	C2053		NCB21HK-472X	CAPACITOR 0.0047μF,50V
C721		NDC21HJ-101X	CAPACITOR 100pF,50V	C2054		NCB21HK-103X	CAPACITOR 0.01μF,50V
C722		NCB21HK-103X	CAPACITOR 0.01μF,50V	C2055		QEKJ1CM-106	E CAPACITOR 10μF,16V
C757		QEKJ1HM-225	E CAPACITOR 2.2μF,50V	C2061		QFLC1HJ-333Z	F CAPACITOR 0.033μF,50V
C758		NDC21HJ-101X	CAPACITOR 100pF,50V	C2062		NCB21HK-332X	CAPACITOR 0.0033μF,50V
C759		QEPF1HM-225	NP E CAPACITOR 2.2μF,50V	C2063		NCB21HK-103X	CAPACITOR 0.01μF,50V
C760		NCB21HK-103X	CAPACITOR 0.01μF,50V	C2064		QEKJ1CM-106	E CAPACITOR 10μF,16V
C761		QEKJ1HM-225	E CAPACITOR 2.2μF,50V	C2121		QEKJ1CM-476	E CAPACITOR 47μF,16V
C762		NDC21HJ-101X	CAPACITOR 100pF,50V	C2201		NCB21EK-104X	CAPACITOR 0.1μF,25V
C763		QEKJ1HM-105	E CAPACITOR 1μF,50V	C2202		NCB21EK-333X	CAPACITOR 0.033μF,25V
C764		QEKJ0JM-107	E CAPACITOR 100μF,6.3V	C2203		QEKJ1CM-106	E CAPACITOR 10μF,16V
C765		NCB21HK-332X	CAPACITOR 0.0033μF,50V	C2204		NCB21HK-102X	CAPACITOR 0.001μF,50V
C766		NCB21HK-103X	CAPACITOR 0.01μF,50V	C2205		QEKJ1HM-105	E CAPACITOR 1μF,50V
C767		NCB21HK-473X	CAPACITOR 0.047μF,50V	C2207		QEKJ1CM-476	E CAPACITOR 47μF,16V
C768		QEKJ1EM-475	E CAPACITOR 4.7μF,25V	C2208		QETJ1HM-475	E CAPACITOR 4.7μF,50V
C769		QEKJ1CM-106	E CAPACITOR 10μF,16V	C2213		QEKJ1CM-106	E CAPACITOR 10μF,16V
C770		QEKJ1CM-106	E CAPACITOR 10μF,16V	C2214		QEKJ1CM-106	E CAPACITOR 10μF,16V
C771		QEKJ1EM-475	E CAPACITOR 4.7μF,25V	C2215		QERF1EM-475	E CAPACITOR 4.7μF,25V

#	△	REF No.	PART No.	PART NAME, DESCRIPTION		#	△	REF No.	PART No.	PART NAME, DESCRIPTION	
C2216			QEKJ1HM-474	E CAPACITOR	0.47μF,50V	C3602			NCB21EK-104X	CAPACITOR	0.1μF,25V
C2217			QEKJ1CM-106	E CAPACITOR	10μF,16V	C3652			NCB21EK-104X	CAPACITOR	0.1μF,25V
C2218			QEKJ1HM-474	E CAPACITOR	0.47μF,50V	C4002			NCB21EK-104X	CAPACITOR	0.1μF,25V
C2219			QEKJ1CM-106	E CAPACITOR	10μF,16V	C4003			NCB21HK-102X	CAPACITOR	0.001μF,50V
C2220			QEKJ1EM-475	E CAPACITOR	4.7μF,25V	C4004			QERF1CM-226	E CAPACITOR	22μF,16V
C2221			NCB21HK-103X	CAPACITOR	0.01μF,50V	C4006			QERF0JM-476	E CAPACITOR	47μF,6.3V
C2222			QEKJ1HM-474	E CAPACITOR	0.47μF,50V	C4007			NCB21HJ-102X	CAPACITOR	0.001μF,50V
C2223			QEKJ1HM-474	E CAPACITOR	0.47μF,50V	C4008			NCB21AK-105X	CAPACITOR	1μF,10V
C2224			NCB21HK-103X	CAPACITOR	0.01μF,50V	C4009			NCB21HK-563X	CAPACITOR	0.056μF,50V
C2225			QEKJ1EM-475	E CAPACITOR	4.7μF,25V	C4010			NCB21EK-223X	CAPACITOR	0.022μF,25V
C2226			QEKJ1CM-106	E CAPACITOR	10μF,16V	C4011			NCB21EK-104X	CAPACITOR	0.1μF,25V
C2227			NCB21CK-104X	CAPACITOR	0.1μF,16V	C4012			NCB21EK-224X	CAPACITOR	0.22μF,25V
C2228			NCB21CK-104X	CAPACITOR	0.1μF,16V	C4013			NCB21HK-563X	CAPACITOR	0.056μF,50V
C2229			NDC21HJ-101X	CAPACITOR	100pF,50V	C4014			NDC21HJ-101X	CAPACITOR	100pF,50V
C2230			NDC21HJ-101X	CAPACITOR	100pF,50V	C4015			NDC21HJ-331X	CAPACITOR	330pF,50V
C2231			NCB21HK-222X	CAPACITOR	0.0022μF,50V	C4016			NCB21HK-681X	CAPACITOR	680pF,50V
C2251			QEKJ1CM-476	E CAPACITOR	47μF,16V	C4017			NCB21HK-222X	CAPACITOR	0.0022μF,50V
C2252			NCB21HK-103X	CAPACITOR	0.01μF,50V	C6007			QEKJ0JM-337	E CAPACITOR	330μF,6.3V
C2253			NCB21CK-104X	CAPACITOR	0.1μF,16V	C6008			NCB21HK-102X	CAPACITOR	0.001μF,50V
C2254			NCB21CK-104X	CAPACITOR	0.1μF,16V	C6014			NCB21HK-103X	CAPACITOR	0.01μF,50V
C2255			NDC21HJ-181X	CAPACITOR	180pF,50V	C6023			NCB21HK-103X	CAPACITOR	0.01μF,50V
C2601			QEKJ1CM-106	E CAPACITOR	10μF,16V	C6033			NRSA02J-0R0X	MG RESISTOR	0Ω,1/10W
C2602			NDC21HJ-101X	CAPACITOR	100pF,50V	C6037			QEKJ1CM-106	E CAPACITOR	10μF,16V
C2603			NDC21HJ-101X	CAPACITOR	100pF,50V	C6553			QEKJ0JM-337	E CAPACITOR	330μF,6.3V
C2604			QEKJ1CM-476	E CAPACITOR	47μF,16V	C6555			NCB21HK-102X	CAPACITOR	0.001μF,50V
C2605			QEKJ1CM-106	E CAPACITOR	10μF,16V	C7503			QETJ0JM-477	E CAPACITOR	470μF,6.3V
C2606			QEKJ1HM-105	E CAPACITOR	1μF,50V	C7515			NCB21EK-104X	CAPACITOR	0.1μF,25V
C2607			QEKJ1HM-105	E CAPACITOR	1μF,50V	C7516			NDC21HJ-101X	CAPACITOR	100pF,50V
C2610			NDC21HJ-101X	CAPACITOR	100pF,50V	L1			QQL29BJ-100Z	COIL	10μH
C2611			NDC21HJ-101X	CAPACITOR	100pF,50V	L3			QQL29BJ-100Z	COIL	10μH
C2612			QEKJ1CM-106	E CAPACITOR	10μF,16V	L4			QQL29BJ-100Z	COIL	10μH
C2651			QEKJ1CM-106	E CAPACITOR	10μF,16V	L5			QQR0521-012Z	NOISE FILTER	
C2652			QEKJ1CM-106	E CAPACITOR	10μF,16V	L12			QQR0967-001	COIL	12μH
C2653			NDC21HJ-101X	CAPACITOR	100pF,50V	L13			QQL231J-330Y	COIL	33μH
C2654			NDC21HJ-101X	CAPACITOR	100pF,50V	L14			QQL231J-101Y	COIL	100μH
C2655			QEKJ1CM-106	E CAPACITOR	10μF,16V	L15			QQL29BJ-100Z	COIL	10μH
C2681			QEKJ1CM-106	E CAPACITOR	10μF,16V	L17			QQL231J-5R6Y	COIL	5.6μH
C2682			QEKJ1CM-476	E CAPACITOR	47μF,16V	L18			QQL231J-220Y	COIL	22μH
C2683			QEKJ1CM-476	E CAPACITOR	47μF,16V	L19			QQL231J-120Y	COIL	12μH
C3001			NCB21EK-104X	CAPACITOR	0.1μF,25V	L20			QQL231J-680Y	COIL	68μH
C3002			NCB21HK-103X	CAPACITOR	0.01μF,50V	L24			QQL231J-270Y	COIL	27μH
C3003			QEKJ1CM-106	E CAPACITOR	10μF,16V	L25			QUY153-050Y	IM BUS WIRE	
C3004			NCB21EK-104X	CAPACITOR	0.1μF,25V	L26			QUY153-050Y	IM BUS WIRE	
C3008			NCB21HK-102X	CAPACITOR	0.001μF,50V	L27			QQL231J-330Y	COIL	33μH
C3010			QEZ0244-229	EDL CAPACITOR	0.0022F,5.5V	L28			QQL231J-680Y	COIL	68μH
C3012			QEKJ0JM-107	E CAPACITOR	100μF,6.3V	L301			QQL29BJ-100Z	COIL	10μH
C3015			NCB21EK-104X	CAPACITOR	0.1μF,25V	L302			QQL231J-6R8Y	COIL	6.8μH
C3016			NCB21EK-104X	CAPACITOR	0.1μF,25V	L303			QQL231J-270Y	COIL	27μH
C3022			NCB21EK-104X	CAPACITOR	0.1μF,25V	L401			QQL071J-150Y	COIL	15μH
C3024			NDC21HJ-120X	CAPACITOR	12pF,50V	L402			QUY153-050Y	IM BUS WIRE	
C3027			QERF1CM-106	E CAPACITOR	10μF,16V	L701			QQL29BJ-4R7Z	COIL	4.7μH
C3030			QERF1CM-226	E CAPACITOR	22μF,16V	L702			QQL29BJ-4R7Z	COIL	4.7μH
C3031			NCB21EK-104X	CAPACITOR	0.1μF,25V	L712			QQL29BJ-4R7Z	COIL	4.7μH
C3032			NCB21EK-104X	CAPACITOR	0.1μF,25V	L713			QQL231J-4R7Y	COIL	4.7μH
C3033			NCB21EK-104X	CAPACITOR	0.1μF,25V	L714			QQL29BJ-4R7Z	COIL	4.7μH
C3036			NDC21HJ-180X	CAPACITOR	18pF,50V	L715			QQL29BJ-4R7Z	COIL	4.7μH
C3037			NDC21HJ-120X	CAPACITOR	12pF,50V	L2001			QQL29BJ-100Z	COIL	10μH
C3040			NCB21HK-103X	CAPACITOR	0.01μF,50V	L2251			QQL29BJ-100Z	COIL	10μH
C3041			NDC21HJ-100X	CAPACITOR	10pF,50V	L2252			QQL29BJ-151Z	COIL	150μH
C3042			QETJ0JM-477	E CAPACITOR	470μF,6.3V	L3001			QRE141J-0R0Y	RESISTOR	0Ω,1/4W
C3054			NCB21EK-104X	CAPACITOR	0.1μF,25V	L3011			QRE141J-0R0Y	RESISTOR	0Ω,1/4W

#	△ REF No.	PART No.	PART NAME, DESCRIPTION	
L3012		QRE141J-0R0Y	RESISTOR	0Ω,1/4W
L6001		QQL29BJ-100Z	COIL	10μH
L6002		QQL29BJ-100Z	COIL	10μH
L6005		QQL29BJ-100Z	COIL	10μH
L6032		QUY153-050Y	IM BUS WIRE	
L7501		QQL29BJ-101Z	COIL	100μH
X1		QAX0576-001	CRYSTAL RESONATOR	
X3001		QAX0444-001	CRYSTAL RESONATOR	
X3002		QAX0527-001	CRYSTAL RESONATOR	
S3001		QSW0602-004	PUSH SWITCH,REC SAFETY	
S3002		QSW0695-001	PUSH SWITCH,S.CASS.SW	
K2001		NQL092M-47NX	COIL	
K2002		NQL092M-47NX	COIL	
K2251		NRSA02J-0R0X	MG RESISTOR	0Ω,1/10W
K2252		NRSA02J-0R0X	MG RESISTOR	0Ω,1/10W
K2253		NRSA02J-0R0X	MG RESISTOR	0Ω,1/10W
K6080		NRSA02J-103X	MG RESISTOR	10kΩ,1/10W
PC3001		GP3S123	IC(PHOTO SENSOR)	
PC3002		GP3S123	IC(PHOTO SENSOR)	
T2051		PELN0860	OSC TRANSFORMER	
T2052		PELN0861	OSC TRANSFORMER	
TU6001		QAU0175-001	TUNER	
SD1		LP30644-001A	SHIELD CASE(PRE)	
FL701		PELN1199	EQUALIZER	
FL702		PELN1198	EQUALIZER	
WR100		QUQ112-1414CG	FFC WIRE,S-SUB	
WR101		QUQ112-0922CG	FFC WIRE,S-SUB	
WR3002		QUB351-15A4A4	SIN TWIST WIRE	
WR3003		QUB351-25A1A1	SIN TWIST WIRE	
OT1		LP40229-002A	PLATE,S.CASE	
CN1		QGF1028C1-13	FPC CONNECTOR,(1-13)U.DRUM	
CN701		QGF1207C1-08	FPC CONNECTOR,(1-8)S/P CONVERTER	
CN702		QGF1207C1-09	FPC CONNECTOR,(1-9)S-SUB	
CN703		QGA2001C1-06	CONNECTOR,(1-6)DIGITAL	
CN2001		QGF1207C1-07	FPC CONNECTOR,(1-7)A/C HEAD	
CN2002		QGB2532J1-02	CONNECTOR,(1-2)FE HEAD	
CN2601		QGF1016C3-08	FFC/FPC CONNECTOR,(1-9)DIGITAL	
CN3001		QGF1207C1-05	FPC CONNECTOR,(1-5)DRUM	
CN3002		QGB2532J1-02	CONNECTOR,(1-2)LOADING MOTOR	
CN3003		QGB2015M2-08	CONNECTOR,(1-8)CAPSTAN MOTOR	
CN3004		QGB2534J2-04	CONNECTOR,(1-4)ROTARY ENCODER	
CN3011		QGF1209F2-18	FFC/FPC CONNECTOR,(1-18)SW/DISPLAY	
CN3014		QGF1016C3-06	FFC/FPC CONNECTOR,(1-6)DIGITAL	
CN7501		QGB2024K1-15S	CONNECTOR,(1-15)TERMINAL	
CN7502		QGB2024K1-05S	CONNECTOR,(1-5)TERMINAL	
CN7503		QGB2024K1-14S	CONNECTOR,(1-14)TERMINAL	
CN7504		QGB2024K1-11S	CONNECTOR,(1-11)TERMINAL	
CN7506		QGF1207C1-14	FPC CONNECTOR,(1-14)S-SUB	
CN7507		QGF1209F2-10	FFC/FPC CONNECTOR,(1-10)JACK	
CN7508		QGF1207C1-13	FPC CONNECTOR,(1-13)REG	
CN7509		QGF1207C1-15	FPC CONNECTOR,(1-15)REG	
△	CP3002	ICP-N15	CIRCUIT PROTECTOR	
△	CP3003	ICP-N25	CIRCUIT PROTECTOR	
△	CP3004	ICP-N15	CIRCUIT PROTECTOR	
△	CP4001	ICP-N25	CIRCUIT PROTECTOR	

#	△ REF No.	PART No.	PART NAME, DESCRIPTION	

3D DIGITAL/2M BOARD ASSEMBLY <05>				
PW1		LPA10105-03A	3D DIGITAL/2M BOARD ASSY	
IC1401		JCP8026	IC	
Q1401		2SC1317/RS-T	TRANSISTOR	
Q1402		2SA1576A/QR/-X	TRANSISTOR	
		or 2PA1576/R/-X	TRANSISTOR	
Q1403		2SA1576A/QR/-X	TRANSISTOR	
		or 2PA1576/R/-X	TRANSISTOR	
Q1404		DTC144WU	TRANSISTOR	
		or RN1309	TRANSISTOR	
		or UN521E	TRANSISTOR	
Q1406		2SA1576A/QR/-X	TRANSISTOR	
		or 2PA1576/R/-X	TRANSISTOR	
Q1407		2SA1576A/QR/-X	TRANSISTOR	
		or 2PA1576/R/-X	TRANSISTOR	
Q1408		2SC4081/S/-X	TRANSISTOR	
Q1410		2SC4081/QRS/-X	TRANSISTOR	
		or 2PC4081/R/-X	TRANSISTOR	
Q1412		2SC4081/QRS/-X	TRANSISTOR	
		or 2PC4081/R/-X	TRANSISTOR	
Q1413		2SA1576A/QR/-X	TRANSISTOR	
		or 2PA1576/R/-X	TRANSISTOR	
Q1414		DTC144WU	TRANSISTOR	
		or RN1309	TRANSISTOR	
		or UN521E	TRANSISTOR	
Q1417		2SC4081/QRS/-X	TRANSISTOR	
		or 2PC4081/R/-X	TRANSISTOR	
Q1418		2SA1576A/QR/-X	TRANSISTOR	
		or 2PA1576/R/-X	TRANSISTOR	
Q1419		DTC124TU	TRANSISTOR	
Q1420		2SC4081/QRS/-X	TRANSISTOR	
		or 2PC4081/R/-X	TRANSISTOR	
D1401		RD4.3ES/B2/-T2	ZENER DIODE	
		or MTZJ4.3B	ZENER DIODE	
D1402		1SS133	DIODE	
		or 1N4148M	DIODE	
R1401		NRSA02J-181X	MG RESISTOR	180Ω,1/10W
R1402		NRSA02J-101X	MG RESISTOR	100Ω,1/10W
R1404		NRSA02J-182X	MG RESISTOR	1.8kΩ,1/10W
R1406		NRSA02J-471X	MG RESISTOR	470Ω,1/10W
R1407		NRSA02J-272X	MG RESISTOR	2.7kΩ,1/10W
R1408		NRSA02J-122X	MG RESISTOR	1.2kΩ,1/10W
R1410		NRSA02J-391X	MG RESISTOR	390Ω,1/10W
R1411		NRSA02J-152X	MG RESISTOR	1.5kΩ,1/10W
R1413		NRSA02J-331X	MG RESISTOR	330Ω,1/10W
R1414		NRSA02J-821X	MG RESISTOR	820Ω,1/10W
R1415		NRSA02J-221X	MG RESISTOR	220Ω,1/10W
R1416		NRSA02J-104X	MG RESISTOR	100kΩ,1/10W
R1417		NRSA02J-101X	MG RESISTOR	100Ω,1/10W
R1418		NRSA02J-471X	MG RESISTOR	470Ω,1/10W
R1421		NRSA02J-391X	MG RESISTOR	390Ω,1/10W
R1426		NRSA02J-561X	MG RESISTOR	560Ω,1/10W
R1427		NRSA02J-333X	MG RESISTOR	33kΩ,1/10W
R1428		NRSA02J-393X	MG RESISTOR	39kΩ,1/10W
R1429		NRSA02J-152X	MG RESISTOR	1.5kΩ,1/10W
R1430		NRSA02J-222X	MG RESISTOR	2.2kΩ,1/10W
R1431		NRSA02J-821X	MG RESISTOR	820Ω,1/10W
R1432		NRSA02J-182X	MG RESISTOR	1.8kΩ,1/10W

#	REF No.	PART No.	PART NAME, DESCRIPTION
R1433		NRSA02J-510X	MG RESISTOR 51Ω,1/10W
R1434		NRSA02J-153X	MG RESISTOR 15kΩ,1/10W
R1435		NRSA02J-223X	MG RESISTOR 22kΩ,1/10W
R1436		NRSA02J-682X	MG RESISTOR 6.8kΩ,1/10W
R1437		NRSA02J-392X	MG RESISTOR 3.9kΩ,1/10W
R1438		NRSA02J-473X	MG RESISTOR 47kΩ,1/10W
R1439		NRSA02J-273X	MG RESISTOR 27kΩ,1/10W
R1440		NRSA02J-473X	MG RESISTOR 47kΩ,1/10W
R1441		NRSA02J-682X	MG RESISTOR 6.8kΩ,1/10W
R1442		NRSA02J-682X	MG RESISTOR 6.8kΩ,1/10W
R1446		NRSA02J-102X	MG RESISTOR 1kΩ,1/10W
R1447		NRSA02J-102X	MG RESISTOR 1kΩ,1/10W
R1448		NRSA02J-102X	MG RESISTOR 1kΩ,1/10W
R1449		NRSA02J-102X	MG RESISTOR 1kΩ,1/10W
R1450		NRSA02J-102X	MG RESISTOR 1kΩ,1/10W
R1452		NRSA02J-471X	MG RESISTOR 470Ω,1/10W
R1453		NRSA02J-102X	MG RESISTOR 1kΩ,1/10W
R1454		NRSA02J-102X	MG RESISTOR 1kΩ,1/10W
R1455		NRSA02J-681X	MG RESISTOR 680Ω,1/10W
R1458		NRSA02J-681X	MG RESISTOR 680Ω,1/10W
R1459		NRSA02J-681X	MG RESISTOR 680Ω,1/10W
R1460		NRSA02J-273X	MG RESISTOR 27kΩ,1/10W
R1461		NRSA02J-121X	MG RESISTOR 120Ω,1/10W
R1463		NRSA02J-101X	MG RESISTOR 100Ω,1/10W
VR1401		QVZ3521-103Z	V RESISTOR,D/A LEVEL ADJ
B1412		NRSA02J-0R0X	MG RESISTOR 0Ω,1/10W
C1401		QEKJ1CM-336	E CAPACITOR 33μF,16V
C1402		NCB21HK-103X	CAPACITOR 0.01μF,50V
C1403		QEKJ0JM-337	E CAPACITOR 330μF,6.3V
C1404		NCF21EZ-104X	CAPACITOR 0.1μF,25V
C1405		NCF21EZ-104X	CAPACITOR 0.1μF,25V
C1406		NCB21HK-103X	CAPACITOR 0.01μF,50V
C1407		NDC21HJ-680X	CAPACITOR 68pF,50V
C1408		NDC21HJ-330X	CAPACITOR 33pF,50V
C1410		QEKJ1EM-475	E CAPACITOR 4.7μF,25V
C1411		NCF21EZ-104X	CAPACITOR 0.1μF,25V
C1412		NDC21HJ-680X	CAPACITOR 68pF,50V
C1413		NDC21HJ-330X	CAPACITOR 33pF,50V
C1415		NCF21EZ-104X	CAPACITOR 0.1μF,25V
C1416		QEKJ1CM-106	E CAPACITOR 10μF,16V
C1417		NCF21EZ-104X	CAPACITOR 0.1μF,25V
C1421		NDC21HJ-330X	CAPACITOR 33pF,50V
C1422		NDC21HJ-680X	CAPACITOR 68pF,50V
C1423		NCF21EZ-104X	CAPACITOR 0.1μF,25V
C1424		NCB21HK-103X	CAPACITOR 0.01μF,50V
C1425		NCB21HK-103X	CAPACITOR 0.01μF,50V
C1426		NDC21HJ-390X	CAPACITOR 39pF,50V
C1428		NDC21HJ-220X	CAPACITOR 22pF,50V
C1429		QEKJ0JM-337	E CAPACITOR 330μF,6.3V
C1430		NCF21EZ-104X	CAPACITOR 0.1μF,25V
C1432		NCF21CZ-105X	CAPACITOR 1μF,16V
C1433		NCF21EZ-104X	CAPACITOR 0.1μF,25V
C1435		NCF21EZ-104X	CAPACITOR 0.1μF,25V
C1436		NCF21EZ-104X	CAPACITOR 0.1μF,25V
C1437		NCF21EZ-104X	CAPACITOR 0.1μF,25V
C1438		NCF21EZ-104X	CAPACITOR 0.1μF,25V
C1439		NCF21CZ-105X	CAPACITOR 1μF,16V
C1440		NCF21EZ-104X	CAPACITOR 0.1μF,25V
C1441		NCF21EZ-104X	CAPACITOR 0.1μF,25V
C1442		NCF21CZ-105X	CAPACITOR 1μF,16V
C1444		NCF21EZ-104X	CAPACITOR 0.1μF,25V

#	REF No.	PART No.	PART NAME, DESCRIPTION
C1445		NCF21EZ-104X	CAPACITOR 0.1μF,25V
C1446		QEKJ0JM-107	E CAPACITOR 100μF,6.3V
C1447		NCF21EZ-104X	CAPACITOR 0.1μF,25V
C1448		QEKJ0JM-337	E CAPACITOR 330μF,6.3V
C1449		NCF21EZ-104X	CAPACITOR 0.1μF,25V
C1450		NCF21EZ-104X	CAPACITOR 0.1μF,25V
C1451		QEKJ1EM-475	E CAPACITOR 4.7μF,25V
C1452		NCF21EZ-104X	CAPACITOR 0.1μF,25V
C1453		NCF21EZ-104X	CAPACITOR 0.1μF,25V
C1454		NCF21EZ-104X	CAPACITOR 0.1μF,25V
C1455		NCF21EZ-104X	CAPACITOR 0.1μF,25V
C1459		NDC21HJ-470X	CAPACITOR 47pF,50V
C1460		NDC21HJ-470X	CAPACITOR 47pF,50V
C1461		NDC21HJ-470X	CAPACITOR 47pF,50V
C1462		NDC21HJ-470X	CAPACITOR 47pF,50V
C1463		QEKJ0JM-336	E CAPACITOR 33μF,6.3V
C1465		NDC21HJ-470X	CAPACITOR 47pF,50V
C1466		NDC21HJ-470X	CAPACITOR 47pF,50V
C1467		NDC21HJ-470X	CAPACITOR 47pF,50V
C1468		NDC21HJ-101X	CAPACITOR 100pF,50V
C1470		NDC21HJ-330X	CAPACITOR 33pF,50V
C1471		NCF21EZ-104X	CAPACITOR 0.1μF,25V
C1472		NCF21EZ-104X	CAPACITOR 0.1μF,25V
C1473		NCF21EZ-104X	CAPACITOR 0.1μF,25V
L1401		QQL29BJ-100Z	COIL 10μH
L1402		QQL071J-6R8Y	COIL 6.8μH
L1403		QQL071J-6R8Y	COIL 6.8μH
L1404		QQL071J-6R8Y	COIL 6.8μH
L1405		QQL29BJ-101Z	COIL 100μH
L1406		QQL071J-330Y	COIL 33μH
L1407		QQL29BJ-101Z	COIL 100μH
L1409		QQL071J-1R0Y	COIL 1.0μH
LC1401		QQR0521-007Z	NOISE FILTER
LC1402		QQR0521-006Z	NOISE FILTER
SD1		LP30706-001C	SHIELD FRAME(S-VHS)
SD2		LP30684-001A	SHIELD CASE(S-VHS)
CN1401		QGG2502K1-17	HEADER PIN,(1-7)MAIN

TERMINAL BOARD ASSEMBLY <06>

PW1	LPA10114-04A	TERMINAL BOARD ASSY
IC7101	MM1224XF	IC
IC7102	MM1228XF	IC
IC7103	MM1024AF	IC
IC7104	BH7636S	IC
Q7102	2SC4081/QRS/-X	TRANSISTOR
	or 2PC4081/R/-X	TRANSISTOR
	or 2SD1819A/QRS/-X	TRANSISTOR
Q7103	2SA1576A/QR/-X	TRANSISTOR
	or 2SB1218A/QR/-X	TRANSISTOR
	or 2PA1576/R/-X	TRANSISTOR
Q7104	2SA1576A/QR/-X	TRANSISTOR
	or 2SB1218A/QR/-X	TRANSISTOR
	or 2PA1576/R/-X	TRANSISTOR
Q7106	DTC144WUA-X	TRANSISTOR
	or UN521E-X	TRANSISTOR
	or RN1309-X	TRANSISTOR

#	△ REF No.	PART No.	PART NAME, DESCRIPTION	#	△ REF No.	PART No.	PART NAME, DESCRIPTION
		or PDTC144WU-X	TRANSISTOR	R7115		NRSA02J-392X	MG RESISTOR 3.9kΩ,1/10W
Q7107		2SC3938/QR/-X	TRANSISTOR	R7116		NRSA02J-562X	MG RESISTOR 5.6kΩ,1/10W
Q7108		2SC3938/QR/-X	TRANSISTOR	R7117		NRSA02J-152X	MG RESISTOR 1.5kΩ,1/10W
Q7109		2SC3938/QR/-X	TRANSISTOR	R7118		NRSA02J-222X	MG RESISTOR 2.2kΩ,1/10W
Q7110		2SC3938/QR/-X	TRANSISTOR	R7119		NRSA02J-471X	MG RESISTOR 470kΩ,1/10W
Q7111		DTC144WUA-X	TRANSISTOR	R7120		NRSA02J-332X	MG RESISTOR 3.3kΩ,1/10W
		or UN521E-X	TRANSISTOR	R7121		NRVA02D-561X	CMF RESISTOR 560Ω,1/10W
		or RN1309-X	TRANSISTOR	R7122		NRVA02D-471X	CMF RESISTOR 470Ω,1/10W
		or PDTC144WU-X	TRANSISTOR	R7123		NRSA02J-102X	MG RESISTOR 1kΩ,1/10W
Q7112		2SA1576A/QR/-X	TRANSISTOR	R7124		NRVA02D-750X	CMF RESISTOR 75Ω,1/10W
		or 2PA1576/R/-X	TRANSISTOR	R7125		NRVA02D-750X	CMF RESISTOR 75Ω,1/10W
		or 2SB1218A/QR/-X	TRANSISTOR	R7126		NRSA02J-101X	MG RESISTOR 100Ω,1/10W
Q7113		2SC4081/QRS/-X	TRANSISTOR	R7127		NRVA02D-561X	CMF RESISTOR 560Ω,1/10W
		or 2SD1819A/QRS/-X	TRANSISTOR	R7128		NRVA02D-471X	CMF RESISTOR 470Ω,1/10W
		or 2PC4081/R/-X	TRANSISTOR	R7129		NRSA02J-102X	MG RESISTOR 1kΩ,1/10W
Q7114		2SA1576A/QR/-X	TRANSISTOR	R7130		NRSA02J-0R0X	MG RESISTOR 0Ω,1/10W
		or 2PA1576/R/-X	TRANSISTOR	R7131		NRSA02J-153X	MG RESISTOR 15kΩ,1/10W
		or 2SB1218A/QR/-X	TRANSISTOR	R7132		NRSA02J-103X	MG RESISTOR 10kΩ,1/10W
Q7115		2SC4081/QRS/-X	TRANSISTOR	R7133		QRE121J-331Y	RESISTOR 330Ω,1/2W
		or 2SD1819A/QRS/-X	TRANSISTOR	R7134		QRE141J-680Y	RESISTOR 68Ω,1/4W
		or 2PC4081/R/-X	TRANSISTOR	R7135		NRVA02D-680X	CMF RESISTOR 68Ω,1/10W
Q7116		2SA1576A/QR/-X	TRANSISTOR	R7136		NRSA02J-750X	MG RESISTOR 75Ω,1/10W
		or 2PA1576/R/-X	TRANSISTOR	R7137		NRSA02J-0R0X	MG RESISTOR 0Ω,1/10W
		or 2SB1218A/QR/-X	TRANSISTOR	R7138		NRSA02J-101X	MG RESISTOR 100Ω,1/10W
Q7117		DTC114EU	TRANSISTOR	R7139		NRSA02J-101X	MG RESISTOR 100Ω,1/10W
		or PDTC114EU	TRANSISTOR	R7140		NRSA02J-101X	MG RESISTOR 100Ω,1/10W
		or RN1302	TRANSISTOR	R7141		NRSA02J-101X	MG RESISTOR 100Ω,1/10W
		or UN5211	TRANSISTOR	R7142		NRSA02J-101X	MG RESISTOR 100Ω,1/10W
Q7118		2SC4081/QRS/-X	TRANSISTOR	R7143		NRSA02J-101X	MG RESISTOR 100Ω,1/10W
		or 2SD1819A/QRS/-X	TRANSISTOR	R7144		NRSA02J-101X	MG RESISTOR 100Ω,1/10W
		or 2PC4081/R/-X	TRANSISTOR	R7145		NRSA02J-101X	MG RESISTOR 100Ω,1/10W
Q7119		2SC4081/QRS/-X	TRANSISTOR	R7146		NRSA02J-101X	MG RESISTOR 100Ω,1/10W
		or 2PC4081/R/-X	TRANSISTOR	R7147		NRSA02J-101X	MG RESISTOR 100Ω,1/10W
		or 2SD1819A/QRS/-X	TRANSISTOR	R7148		NRSA02J-101X	MG RESISTOR 100Ω,1/10W
Q7120		2SC4081/QRS/-X	TRANSISTOR	R7149		NRSA02J-682X	MG RESISTOR 6.8kΩ,1/10W
		or 2SD1819A/QRS/-X	TRANSISTOR	R7150		NRSA02J-102X	MG RESISTOR 1kΩ,1/10W
		or 2PC4081/R/-X	TRANSISTOR	R7151		NRSA02J-471X	MG RESISTOR 470Ω,1/10W
Q7121		2SA1576A/QR/-X	TRANSISTOR	R7152		NRSA02J-272X	MG RESISTOR 2.7kΩ,1/10W
		or 2PA1576/R/-X	TRANSISTOR	R7153		NRSA02J-472X	MG RESISTOR 4.7kΩ,1/10W
		or 2SB1218A/QR/-X	TRANSISTOR	R7154		NRSA02J-0R0X	MG RESISTOR 0Ω,1/10W
Q7122		2SC4081/QRS/-X	TRANSISTOR	R7155		NRSA02J-332X	MG RESISTOR 3.3kΩ,1/10W
		or 2SD1819A/QRS/-X	TRANSISTOR	R7156		NRSA02J-750X	MG RESISTOR 75Ω,1/10W
		or 2PC4081/R/-X	TRANSISTOR	R7157		NRSA02J-750X	MG RESISTOR 75Ω,1/10W
Q7123		2SA1576A/QR/-X	TRANSISTOR	R7158		NRSA02J-102X	MG RESISTOR 1kΩ,1/10W
		or 2PA1576/R/-X	TRANSISTOR	R7159		NRSA02J-750X	MG RESISTOR 75Ω,1/10W
		or 2SB1218A/QR/-X	TRANSISTOR	R7160		NRSA02J-101X	MG RESISTOR 100Ω,1/10W
Q7124		2SA1576A/QR/-X	TRANSISTOR	R7161		NRSA02J-101X	MG RESISTOR 100Ω,1/10W
		or 2SB1218A/QR/-X	TRANSISTOR	R7162		NRSA02J-101X	MG RESISTOR 100Ω,1/10W
		or 2PA1576/R/-X	TRANSISTOR	R7163		NRSA02J-101X	MG RESISTOR 100Ω,1/10W
D7101		DA204U-W	DIODE	R7164		NRSA02J-101X	MG RESISTOR 100Ω,1/10W
R7102		NRSA02J-102X	MG RESISTOR 1kΩ,1/10W	R7165		NRSA02J-101X	MG RESISTOR 100Ω,1/10W
R7104		NRVA02D-561X	CMF RESISTOR 560Ω,1/10W	R7166		NRSA02J-472X	MG RESISTOR 4.7kΩ,1/10W
R7105		NRVA02D-471X	CMF RESISTOR 470Ω,1/10W	R7167		NRSA02J-271X	MG RESISTOR 270Ω,1/10W
R7107		NRSA02J-103X	MG RESISTOR 10kΩ,1/10W	R7168		QRE141J-682Y	RESISTOR 6.8kΩ,1/4W
R7108		NRSA02J-821X	MG RESISTOR 820Ω,1/10W	R7169		NRSA02J-472X	MG RESISTOR 4.7kΩ,1/10W
R7109		NRSA02J-102X	MG RESISTOR 1kΩ,1/10W	R7170		NRSA02J-333X	MG RESISTOR 33kΩ,1/10W
R7110		NRSA02J-392X	MG RESISTOR 3.9kΩ,1/10W	R7171		NRSA02J-103X	MG RESISTOR 10kΩ,1/10W
R7111		NRSA02J-472X	MG RESISTOR 4.7kΩ,1/10W	R7172		NRSA02J-3R3X	MG RESISTOR 3.3Ω,1/10W
R7112		NRSA02J-152X	MG RESISTOR 1.5kΩ,1/10W	R7173		QRE141J-152Y	RESISTOR (W7159) 1.5kΩ,1/2W
R7113		NRSA02J-271X	MG RESISTOR 270Ω,1/10W	C7101		NCB21HK-103X	CAPACITOR 0.01μF,50V
R7114		NRSA02J-152X	MG RESISTOR 1.5kΩ,1/10W	C7102		QEKJ0JM-476	E CAPACITOR 47μF,6.3V

#	△ REF No.	PART No.	PART NAME, DESCRIPTION	#	△ REF No.	PART No.	PART NAME, DESCRIPTION
C7103		QEKJ1CM-476	E CAPACITOR 47μF,16V	L7115		QQL29BK-1R0Z	COIL 1.0μH
C7104		NCB21HK-103X	CAPACITOR 0.01μF,50V	L7116		QUY153-050Y	IM BUS WIRE
C7105		NCB21HK-103X	CAPACITOR 0.01μF,50V	L7117		QQL071J-4R7Y	COIL 4.7μH
C7106		NCB21EK-104X	CAPACITOR 0.1μF,25V	L7118		QQL071J-4R7Y	COIL 4.7μH
C7107		NCB21HK-103X	CAPACITOR 0.01μF,50V	L7119		QQL071J-4R7Y	COIL 4.7μH
C7108		NCB21HK-103X	CAPACITOR 0.01μF,50V	L7120		QQL071J-4R7Y	COIL 4.7μH
C7110		NCB21HK-103X	CAPACITOR 0.01μF,50V	L7121		QQL071J-4R7Y	COIL 4.7μH
C7112		QEKJ1CM-106	E CAPACITOR 10μF,16V	L7122		QQL071J-4R7Y	COIL 4.7μH
C7113		NCB21HK-103X	CAPACITOR 0.01μF,50V	L7123		QUY153-050Y	IM BUS WIRE
C7114		NCB21HK-103X	CAPACITOR 0.01μF,50V	ET1		QNZ0431-001Z	EARTH TERMINAL
C7116		QEKJ0JM-337	E CAPACITOR 330μF,6.3V	J7101		QND0009-001	S JACK,S_OUT
C7117		QEKJ0JM-337	E CAPACITOR 330μF,6.3V	J7102		QNZ0418-001	21P CONNECTOR,AV1
C7118		QEKJ0JM-107	E CAPACITOR 100μF,6.3V	J7103		PU60659	MINI JACK,SAT_CTL
C7119		NCB21HK-103X	CAPACITOR 0.01μF,50V	J7104		QNZ0418-001	21P CONNECTOR,AV2
C7120		QEPF1HM-474	NP E CAPACITOR 0.47μF,50V	J7105		QNN0295-002	PIN JACK,A.OUT(L/R)
C7121		NDC21HJ-270X	CAPACITOR 27pF,50V	CN7101		QGB2024J1-15S	CONNECTOR,(1-15)MAIN
C7122		NCB21HK-103X	CAPACITOR 0.01μF,50V	CN7102		QGB2024J1-05S	CONNECTOR,(1-5)MAIN
C7123		NCB21HK-103X	CAPACITOR 0.01μF,50V	CN7103		QGB2024J1-14S	CONNECTOR,(1-14)MAIN
C7124		NCB21HK-103X	CAPACITOR 0.01μF,50V	CN7104		QGB2024J1-11S	CONNECTOR,(1-11)MAIN
C7125		QEKJ1CM-476	E CAPACITOR 47μF,16V	*****			
C7126		NCB21HK-103X	CAPACITOR 0.01μF,50V	A/C HEAD BOARD ASSEMBLY <12>			
C7127		NDC21HJ-330X	CAPACITOR 33pF,50V	PW1	LPA10010-01A1	A/C HEAD BOARD ASSY	
C7129		QEKJ0JM-337	E CAPACITOR 330μF,6.3V	CN1	QGF1208F1-07	FPC CONNECTOR	
C7130		NCB21HK-681X	CAPACITOR 680pF,50V	*****			
C7131		NCB21HK-102X	CAPACITOR 0.001μF,50V	DEMOD BOARD ASSEMBLY <14>			
C7132		NCB21HK-681X	CAPACITOR 680pF,50V	PW1	LPA10094-05A	DEMOD BOARD ASSY	
C7133		NCB21HK-102X	CAPACITOR 0.001μF,50V	IC6701	MSP3417D	IC	
C7138		QEKJ1CM-107	E CAPACITOR 100μF,16V		or MSP3417DG3	IC	
C7139		QEKJ1CM-107	E CAPACITOR 100μF,16V		or MSP3417G	IC	
C7140		NCB21EK-104X	CAPACITOR 0.1μF,25V	Q6701	2SC3936/BC/-X	TRANSISTOR	
C7142		NCB21EK-104X	CAPACITOR 0.1μF,25V	D6701	1SS133	DIODE	
C7143		NCB21EK-104X	CAPACITOR 0.1μF,25V		or 1N4148M	DIODE	
C7145		NCB21EK-104X	CAPACITOR 0.1μF,25V	R6701	NRSA02J-392X	MG RESISTOR	3.9kΩ,1/10W
C7146		NDC21HJ-330X	CAPACITOR 33pF,50V	R6702	NRSA02J-682X	MG RESISTOR	6.8kΩ,1/10W
C7147		NCB21EK-104X	CAPACITOR 0.1μF,25V	R6703	NRSA02J-0R0X	MG RESISTOR	0Ω,1/10W
C7148		NCB21EK-104X	CAPACITOR 0.1μF,25V	R6704	NRSA02J-102X	MG RESISTOR	1kΩ,1/10W
C7150		NCB21HK-103X	CAPACITOR 0.01μF,50V	R6705	NRSA02J-271X	MG RESISTOR	270Ω,1/10W
C7151		QEKJ1CM-106	E CAPACITOR 10μF,16V	R6707	NQR0200-003X	FERRITE BEAD	
C7152		QEKJ1CM-106	E CAPACITOR 10μF,16V	R6708	NQR0200-003X	FERRITE BEAD	
C7153		QEKJ1CM-106	E CAPACITOR 10μF,16V	R6709	NQR0200-003X	FERRITE BEAD	
C7154		NCB21CK-105X	CAPACITOR 1μF,16V	R6710	NQR0200-003X	FERRITE BEAD	
C7155		QEKJ0JM-476	E CAPACITOR 47μF,6.3V	R6711	NRSA02J-684X	MG RESISTOR	680kΩ,1/10W
C7156		NCB21HK-681X	CAPACITOR 680pF,50V	R6712	NRSA02J-102X	MG RESISTOR	1kΩ,1/10W
C7158		NCB21HK-681X	CAPACITOR 680pF,50V	R6714	NRSA02J-102X	MG RESISTOR	1kΩ,1/10W
C7159		NCB21HK-102X	CAPACITOR 0.001μF,50V	R6716	NQR0200-003X	FERRITE BEAD	
C7166		NCB21HK-102X	CAPACITOR 0.001μF,50V	R6719	QRE141J-103Y	RESISTOR	10kΩ,1/4W
C7167		NCB21HK-102X	CAPACITOR 0.001μF,50V	R6720	NRSA02J-562X	MG RESISTOR	5.6kΩ,1/10W
C7168		QEKJ0JM-476	E CAPACITOR 47μF,6.3V	R6721	NRSA02J-562X	MG RESISTOR	5.6kΩ,1/10W
C7169		NCB21HK-103X	CAPACITOR 0.01μF,50V	C6701	NCB21HK-103X	CAPACITOR 0.01μF,50V	
C7170		NCB21HK-102X	CAPACITOR 0.001μF,50V	C6704	NCB21HK-103X	CAPACITOR 0.01μF,50V	
L7101		QQL29BJ-4R7Z	COIL 4.7μH	C6707	NDC21HJ-470X	CAPACITOR 47pF,50V	
L7102		QQL29BJ-4R7Z	COIL 4.7μH				
L7103		QQL29BJ-4R7Z	COIL 4.7μH				
L7104		QUY153-050Y	IM BUS WIRE				
L7105		QUY153-050Y	IM BUS WIRE				
L7106		QQL071J-4R7Y	COIL 4.7μH				
L7107		QQL071J-4R7Y	COIL 4.7μH				
L7108		QQL071J-4R7Y	COIL 4.7μH				
L7109		QQL071J-4R7Y	COIL 4.7μH				
L7110		QUY153-050Y	IM BUS WIRE				
L7113		QQL071J-1R0Y	COIL 1.0μH				

#	△ REF No.	PART No.	PART NAME, DESCRIPTION
C6708		NDC21HJ-7R0X	CAPACITOR 7pF,50V
C6709		NDC21HJ-3R0X	CAPACITOR 3pF,50V
C6713		NCF21CZ-224X	CAPACITOR 0.22μF,16V
C6714		NCB21HK-682X	CAPACITOR 0.0068μF,50V
C6715		QEKJ1HM-225	E CAPACITOR 2.2μF,50V
C6716		NCB21HK-682X	CAPACITOR 0.0068μF,50V
C6717		QEKJ1HM-225	E CAPACITOR 2.2μF,50V
C6719		QEKJ1EM-106	E CAPACITOR 10μF,25V
C6720		QEKJ1EM-106	E CAPACITOR 10μF,25V
C6721		NCB21HK-103X	CAPACITOR 0.01μF,50V
C6723		NCB21HK-103X	CAPACITOR 0.01μF,50V
C6724		QEKJ1HM-225	E CAPACITOR 2.2μF,50V
L6701		QUY153-050Y	IM BUS WIRE
X6701		QAX0443-001	CRYSTAL RESONATOR
K6701		NRSA02J-330X	MG RESISTOR 33Ω,1/10W
K6702		NQR0200-003X	FERRITE BEAD
K6703		NRSA02J-102X	MG RESISTOR 1kΩ,1/10W
K6704		NRSA02J-102X	MG RESISTOR 1kΩ,1/10W
K6705		NRSA02J-100X	MG RESISTOR 10Ω,1/10W
K6706		NRSA02J-470X	MG RESISTOR 47Ω,1/10W
K6707		NQR0200-003X	FERRITE BEAD
BK1		LP40425-001A	BRACKET(BOARD)
CN6701		GGG2502K1-10	HEADER PIN

#	△ REF No.	PART No.	PART NAME, DESCRIPTION
C501		QEKJ1HM-225	E CAPACITOR 2.2μF,50V
C502		QEKJ1EM-475	E CAPACITOR 4.7μF,25V
C503		QEKJ1HM-225	E CAPACITOR 2.2μF,50V
C504		NCB21EK-104X	CAPACITOR 0.1μF,25V
C505		QEKJ1EM-475	E CAPACITOR 4.7μF,25V
C506		NCB21EK-104X	CAPACITOR 0.1μF,25V
C507		QEKJ0JM-227	E CAPACITOR 220μF,6.3V
C508		QEPF1HM-474	NP E CAPACITOR 0.47μF,50V
C509		QEKJ1CM-106	E CAPACITOR 10μF,16V
C510		QEKJ0JM-227	E CAPACITOR 220μF,6.3V
C511		NCB21HK-103X	CAPACITOR 0.01μF,50V
C512		NCB21HK-103X	CAPACITOR 0.01μF,50V
C513		QEKJ1EM-475	E CAPACITOR 4.7μF,25V
C514		NCB21HK-103X	CAPACITOR 0.01μF,50V
C515		NCB21HK-103X	CAPACITOR 0.01μF,50V
C516		NCB21HK-103X	CAPACITOR 0.01μF,50V
C517		NCF21EZ-104X	CAPACITOR 0.1μF,25V
C518		NCB21EK-104X	CAPACITOR 0.1μF,25V
C519		QEKJ1HM-225	E CAPACITOR 2.2μF,50V
C520		QERF1EM-475	E CAPACITOR 4.7μF,25V
C521		QEKJ1EM-475	E CAPACITOR 4.7μF,25V
C522		QEKJ1HM-225	E CAPACITOR 2.2μF,50V
C523		QEKJ1HM-225	E CAPACITOR 2.2μF,50V
C524		NDC21HG-301X	CAPACITOR 300pF,50V
C525		NDC21HG-301X	CAPACITOR 300pF,50V
C526		NDC21HJ-101X	CAPACITOR 100pF,50V
C527		NDC21HJ-181X	CAPACITOR 180pF,50V
C528		NDC21HG-271X	CAPACITOR 270pF,50V
C529		NDC21HG-820X	CAPACITOR 82pF,50V
C530		NDC21HG-221X	CAPACITOR 220pF,50V
C531		NDC21HG-301X	CAPACITOR 300pF,50V
C532		NDC21HG-301X	CAPACITOR 300pF,50V
C533		NCB21HK-103X	CAPACITOR 0.01μF,50V
C534		QETJ0JM-477	E CAPACITOR 470μF,6.3V
C535		NCB21HK-103X	CAPACITOR 0.01μF,50V
C551		QEKJ1HM-105	E CAPACITOR 1μF,50V
C553		NCB21HK-103X	CAPACITOR 0.01μF,50V
C554		QEKJ1HM-105	E CAPACITOR 1μF,50V
C556		NCB21HK-103X	CAPACITOR 0.01μF,50V
C557		QEKJ1HM-105	E CAPACITOR 1μF,50V
C559		NCB21HK-103X	CAPACITOR 0.01μF,50V
C560		QEKJ1HM-105	E CAPACITOR 1μF,50V
C561		QEKJ1HM-105	E CAPACITOR 1μF,50V
C562		QEKJ1HM-105	E CAPACITOR 1μF,50V
C564		NCB21HK-103X	CAPACITOR 0.01μF,50V
C566		NCB21HK-103X	CAPACITOR 0.01μF,50V
C568		NDC21HJ-680X	CAPACITOR 68pF,50V
C569		NDC21HJ-680X	CAPACITOR 68pF,50V
C570		NDC21HJ-680X	CAPACITOR 68pF,50V
C571		NDC21HJ-680X	CAPACITOR 68pF,50V
C572		NDC21HJ-680X	CAPACITOR 68pF,50V
C573		NDC21HJ-680X	CAPACITOR 68pF,50V
L501		QQL29BJ-100Z	COIL 10μH
L503		QQL29BJ-100Z	COIL 10μH
L504		QQL29BJ-100Z	COIL 10μH
BK1		LP40077-001A	BRACKET(BOARD)
CN511		GGG2503K2-30	HEADER PIN,(1-30)MAIN
CN512		GGF1209F2-14	FFC/FPC CONNE,(1-14)MAIN
CN513		GGF1208F1-09	FPC CONNECTOR,(1-9)P/S CONVERTER

S-SUB BOARD ASSEMBLY <15>

PW1	LPA10103-02A	S-SUB BOARD ASSY
IC501	JCP8018	IC
	or JCP8028	IC
	or JCP8028-01	IC
	or JCP8038	IC
IC502	VC2076DP	IC
R503	NRSA02J-221X	MG RESISTOR 220Ω,1/10W
R504	NRSA02J-332X	MG RESISTOR 3.3kΩ,1/10W
R505	NRSA02J-392X	MG RESISTOR 3.9kΩ,1/10W
R506	NRSA02J-391X	MG RESISTOR 390Ω,1/10W
R507	NRSA02J-122X	MG RESISTOR 1.2kΩ,1/10W
R508	NRSA02J-151X	MG RESISTOR 150Ω,1/10W
R509	NRSA02J-162X	MG RESISTOR 1.6kΩ,1/10W
R510	NRVA02D-102X	CMF RESISTOR 1kΩ,1/10W
R511	NRVA02D-471X	CMF RESISTOR 470Ω,1/10W
R512	NRVA02D-102X	CMF RESISTOR 1kΩ,1/10W
R513	NRVA02D-152X	CMF RESISTOR 1.5kΩ,1/10W
R514	NRVA02D-332X	CMF RESISTOR 3.3kΩ,1/10W
R515	NRVA02D-332X	CMF RESISTOR 3.3kΩ,1/10W
R516	NRSA02J-0R0X	MG RESISTOR 0Ω,1/10W
R517	NRSA02J-0R0X	MG RESISTOR 0Ω,1/10W
R525	NRSA02J-125X	MG RESISTOR 1.2MΩ,1/10W
R531	NRSA02J-101X	MG RESISTOR 100Ω,1/10W
R532	NRSA02J-101X	MG RESISTOR 100Ω,1/10W
R533	NRSA02J-101X	MG RESISTOR 100Ω,1/10W
R534	NRSA02J-101X	MG RESISTOR 100Ω,1/10W
R535	NRSA02J-101X	MG RESISTOR 100Ω,1/10W
R536	NRSA02J-101X	MG RESISTOR 100Ω,1/10W
B501	NRSA02J-0R0X	MG RESISTOR 0Ω,1/10W
B503	NRSA02J-0R0X	MG RESISTOR 0Ω,1/10W

#	REF No.	PART No.	PART NAME, DESCRIPTION

ON SCREEN BOARD ASSEMBLY <17>			
PW1	LPA10127-06A		ON SCREEN BOARD ASSY
IC851	LC74775-9750		IC
Q853	2SA1576A/QR/-X		TRANSISTOR
	or 2SB1218A/QR/-X		TRANSISTOR
	or 2PA1576R/-X		TRANSISTOR
Q857	2SA1576A/QR/-X		TRANSISTOR
	or 2SB1218A/QR/-X		TRANSISTOR
	or 2PA1576R/-X		TRANSISTOR
Q858	2SC4081/QRS/-X		TRANSISTOR
	or 2PC4081R/-X		TRANSISTOR
	or 2SD1819A/QRS/-X		TRANSISTOR
Q859	2SA1576A/QR/-X		TRANSISTOR
	or 2SB1218A/QR/-X		TRANSISTOR
	or 2PA1576R/-X		TRANSISTOR
Q860	DTC114EU		TRANSISTOR
	or PDC114EU		TRANSISTOR
	or RN1302		TRANSISTOR
	or UN5211		TRANSISTOR
D851	QUY153-050Y		IM BUS WIRE
D852	QRE141J-152Y	1.5kΩ, 1/4W	RESISTOR
D853	QRE141J-101Y	100Ω, 1/4W	RESISTOR
D854	QRE141J-101Y	100Ω, 1/4W	RESISTOR
D855	DA204U		DIODE
R853	NRSA02J-103X	10kΩ, 1/10W	MG RESISTOR
R857	NRSA02J-0R0X	0Ω, 1/10W	MG RESISTOR
R860	NRSA02J-0R0X	0Ω, 1/10W	MG RESISTOR
R862	NRSA02J-0R0X	0Ω, 1/10W	MG RESISTOR
R863	NRSA02J-331X	330Ω, 1/10W	MG RESISTOR
R870	NRSA02J-103X	10kΩ, 1/10W	MG RESISTOR
R872	NRSA02J-103X	10kΩ, 1/10W	MG RESISTOR
R873	NRSA02J-0R0X	0Ω, 1/10W	MG RESISTOR
R874	NRSA02J-0R0X	0Ω, 1/10W	MG RESISTOR
R875	NRSA02J-0R0X	0Ω, 1/10W	MG RESISTOR
R876	NRSA02J-512X	5.1kΩ, 1/10W	MG RESISTOR
R877	NRSA02J-182X	1.8kΩ, 1/10W	MG RESISTOR
R878	NRSA02J-562X	5.6kΩ, 1/10W	MG RESISTOR
R879	NRSA02J-332X	3.3kΩ, 1/10W	MG RESISTOR
R880	NRSA02J-0R0X	0Ω, 1/10W	MG RESISTOR
R881	NRSA02J-471X	470Ω, 1/10W	MG RESISTOR
R882	NRSA02J-184X	180kΩ, 1/10W	MG RESISTOR
R883	NRSA02J-822X	8.2kΩ, 1/10W	MG RESISTOR
R884	NRSA02J-272X	2.7kΩ, 1/10W	MG RESISTOR
R885	NRSA02J-153X	15kΩ, 1/10W	MG RESISTOR
R886	NRSA02J-681X	680Ω, 1/10W	MG RESISTOR
R887	NRSA02J-103X	10kΩ, 1/10W	MG RESISTOR
R888	NRSA02J-472X	4.7kΩ, 1/10W	MG RESISTOR
R891	NRSA02J-0R0X	0Ω, 1/10W	MG RESISTOR
B851	NRSA02J-0R0X	0Ω, 1/10W	MG RESISTOR
B853	NRSA02J-0R0X	0Ω, 1/10W	MG RESISTOR
B855	NRSA02J-0R0X	0Ω, 1/10W	MG RESISTOR
B857	QUY153-050Y		IM BUS WIRE
B860	NRSA02J-0R0X	0Ω, 1/10W	MG RESISTOR
B863	NRSA02J-0R0X	0Ω, 1/10W	MG RESISTOR
C851	QEKJ0JM-337	330μF, 6.3V	E CAPACITOR
C852	NCB21EK-224X	0.22μF, 25V	CAPACITOR
C853	NCB21CK-105X	1μF, 16V	CAPACITOR
C856	NCB21CK-105X	1μF, 16V	CAPACITOR

#	REF No.	PART No.	PART NAME, DESCRIPTION
C857		NDC21HJ-560X	CAPACITOR 56pF, 50V
C858		NCB21CK-474X	CAPACITOR 0.47μF, 16V
C860		NCB21HK-103X	CAPACITOR 0.01μF, 50V
C865		NDC21HJ-100X	CAPACITOR 10pF, 50V
C867		NDC21HJ-330X	CAPACITOR 33pF, 50V
C868		NDC21HJ-330X	CAPACITOR 33pF, 50V
C870		NDC21HJ-101X	CAPACITOR 100pF, 50V
C871		NDC21HJ-101X	CAPACITOR 100pF, 50V
C872		NCB21EK-104X	CAPACITOR 0.1μF, 25V
C873		QEKJ1EM-475	E CAPACITOR 4.7μF, 25V
C874		NCB21EK-224X	CAPACITOR 0.22μF, 25V
C875		NCB21EK-224X	CAPACITOR 0.22μF, 25V
C876		QEKJ0JM-227	E CAPACITOR 220pF, 6.3V
C877		QEKJ1CM-476	E CAPACITOR 47μF, 16V
C878		NCB21HK-103X	CAPACITOR 0.01μF, 50V
C879		NCB21EK-104X	CAPACITOR 0.1μF, 25V
C881		NCB21HK-471X	CAPACITOR 470pF, 50V
C882		NCB21HK-223X	CAPACITOR 0.022μF, 50V
C883		QEKJ1HM-225	E CAPACITOR 2.2μF, 50V
L851		QQL01BK-1R0Z	COIL 1.0μH
L852		QQL071J-220Y	COIL 22μH
L853		QQL29BJ-100Z	COIL 10μH
L854		QUY153-050Y	IM BUS WIRE
L855		QUY153-050Y	IM BUS WIRE
L857		QQL071J-330Y	COIL 33μH
L858		QQL37CJ-220Z	COIL 22μH
L859		QQL29BJ-4R7Z	COIL 4.7μH
T851		PELN0806	LC TRAP
BK1		LP40077-001A	BRACKET(BOARD)
CN851		QGG2502K1-20	HEADER PIN

EJECT SW BOARD ASSEMBLY <27>

PW5	LPA10126-01C5	EJECT SW BOARD ASSY
S7011	QSW0456-002Z	TACT SWITCH, VHS EJECT
FW7005	QUM022-15A4A4	PARA RIBON WIRE

SW/DISPLAY BOARD ASSEMBLY <28>

PW1	LPA10126-04A1	SW/DISPLAY BOARD ASSY
IC7001	M35500BGP	IC
	or M35500AGP	IC
	or M35500BFP	IC
IC7002	PNA4652M00XB	IR DETECT UNIT
	or GP1U281X	IR DETECT UNIT
Q7001	DTC114ES	TRANSISTOR
D7002	RD9.1ES/B2/-T2	ZENER DIODE
	or UZ9.1BSB	ZENER DIODE
	or MTZJ9.1B	ZENER DIODE
D7004	1SS133	DIODE
	or 1N4148M	DIODE
D7005	1SS133	DIODE
	or 1N4148M	DIODE
D7006	1SS133	DIODE
	or 1N4148M	DIODE

#	△ REF No.	PART No.	PART NAME, DESCRIPTION
D7009		SLR-342DU3F	LE DIODE,VHS
D7010		SLR-342MG3F	LE DIODE,VHS PLAY
D7011		SLR-342VR3F	LE DIODE,VHS REC
D7013		SLR-342MG3F	LE DIODE,D/H PLAY
D7014		SLR-342VR3F	LE DIODE,D/H REC
R7001		QRE141J-471Y	RESISTOR 470Ω,1/4W
R7002		QRE141J-471Y	RESISTOR 470Ω,1/4W
R7003		QRE141J-471Y	RESISTOR 470Ω,1/4W
R7004		QRE141J-471Y	RESISTOR 470Ω,1/4W
R7006		QRE141J-103Y	RESISTOR 10kΩ,1/4W
R7007		QRE141J-103Y	RESISTOR 10kΩ,1/4W
R7008		QRE141J-103Y	RESISTOR 10kΩ,1/4W
R7013		QRE141J-103Y	RESISTOR 10kΩ,1/4W
R7014		QUY153-050Y	IM BUS WIRE
R7015		QUY153-050Y	IM BUS WIRE
R7020		QRE141J-103Y	RESISTOR 10kΩ,1/4W
R7021		QRE141J-122Y	RESISTOR 1.2kΩ,1/4W
R7022		QRE141J-182Y	RESISTOR 1.8kΩ,1/4W
R7023		QRE141J-222Y	RESISTOR 2.2kΩ,1/4W
R7024		QRE141J-272Y	RESISTOR 2.7kΩ,1/4W
R7025		QRE141J-472Y	RESISTOR 4.7kΩ,1/4W
R7026		QRE141J-682Y	RESISTOR 6.8kΩ,1/4W
R7027		QRE141J-153Y	RESISTOR 15kΩ,1/4W
R7028		QRE141J-393Y	RESISTOR 39kΩ,1/4W
R7030		QRE141J-103Y	RESISTOR 10kΩ,1/4W
R7031		QRE141J-122Y	RESISTOR 1.2kΩ,1/4W
R7032		QRE141J-182Y	RESISTOR 1.8kΩ,1/4W
R7033		QRE141J-222Y	RESISTOR 2.2kΩ,1/4W
R7034		QRE141J-272Y	RESISTOR 2.7kΩ,1/4W
R7035		QRE141J-472Y	RESISTOR 4.7kΩ,1/4W
R7036		QRE141J-682Y	RESISTOR 6.8kΩ,1/4W
R7037		QRE141J-153Y	RESISTOR 15kΩ,1/4W
R7038		QRE141J-393Y	RESISTOR 39kΩ,1/4W
R7040		QRE141J-103Y	RESISTOR 10kΩ,1/4W
R7041		QRE141J-122Y	RESISTOR 1.2kΩ,1/4W
R7042		QRE141J-182Y	RESISTOR 1.8kΩ,1/4W
R7043		QRE141J-222Y	RESISTOR 2.2kΩ,1/4W
R7044		QRE141J-272Y	RESISTOR 2.7kΩ,1/4W
R7045		QRE141J-472Y	RESISTOR 4.7kΩ,1/4W
R7046		QRE141J-682Y	RESISTOR 6.8kΩ,1/4W
R7047		QRE141J-153Y	RESISTOR 15kΩ,1/4W
R7051		QRE141J-331Y	RESISTOR 330Ω,1/4W
R7052		QRE141J-331Y	RESISTOR 330Ω,1/4W
R7053		QRE141J-331Y	RESISTOR 330Ω,1/4W
R7054		QRE141J-331Y	RESISTOR 330Ω,1/4W
R7057		QRE141J-331Y	RESISTOR 330Ω,1/4W
R7058		QRE141J-331Y	RESISTOR 330Ω,1/4W
R7059		QRE141J-331Y	RESISTOR 330Ω,1/4W
R7060		QRE141J-103Y	RESISTOR 10kΩ,1/4W
C7001		QCFB1HZ-104	CAPACITOR 0.1μF,50V
C7002		QETN1HM-106	E CAPACITOR 10μF,50V
C7007		QEKCOJM-476	E CAPACITOR 47μF,6.3V
C7009		QCSB1HJ-150	CAPACITOR 15pF,50V
C7010		QCFB1HZ-104	CAPACITOR 0.1μF,50V
C7011		QEKCIAM-227	E CAPACITOR 220μF,10V
C7019		QDVB1EZ-223Y	CAPACITOR 0.022μF,25V
L7001		QUY153-050Y	IM BUS WIRE
S7001		QSW0456-002Z	TACT SWITCH,POWER
S7002		QSW0456-002Z	TACT SWITCH,CH+
S7003		QSW0456-002Z	TACT SWITCH,CH-
S7004		QSW0456-002Z	TACT SWITCH,REC

#	△ REF No.	PART No.	PART NAME, DESCRIPTION
S7005		QSW0456-002Z	TACT SWITCH,PAUSE
S7006		QSW0456-002Z	TACT SWITCH,PLAY
S7007		QSW0456-002Z	TACT SWITCH,STOP
S7012		QSW0456-002Z	TACT SWITCH,SVHS ET
S7013		QSW0456-002Z	TACT SWITCH,VHS
S7015		QSW0456-002Z	TACT SWITCH,REW
S7016		QSW0456-002Z	TACT SWITCH,MENU
S7017		QSW0456-002Z	TACT SWITCH,NAVI
S7018		QSW0456-002Z	TACT SWITCH,A.DUB
S7019		QSW0456-002Z	TACT SWITCH,FF
S7021		QSW0456-002Z	TACT SWITCH,LEFT
S7022		QSW0456-002Z	TACT SWITCH,RIGHT
S7023		QSW0456-002Z	TACT SWITCH,OK
S7026		QSW0456-002Z	TACT SWITCH,UP
S7027		QSW0456-002Z	TACT SWITCH,DOWN
DI7001		QLF0031-002	FL TUBE
HD1		PQ34949	FDP HOLDER(L),DI7001
HD2		PQ34950	FDP HOLDER(R),DI7001
HD3		PQ40795-2-2	LED HOLDER,D7009
HD4		PQM30038-1-2	LED HOLDER,D7010
HD5		PQM30038-1-2	LED HOLDER,D7011
HD6		PQM30038-1-2	LED HOLDER,D7013
HD7		PQM30038-1-2	LED HOLDER,D7014
CN7001		QGF1207F1-18	FPC CONNECTOR,(1-18)MAIN

JACK BOARD ASSEMBLY <36>

PW2	LPA10126-04A2	JACK BOARD ASSY
D7063	1SS133	DIODE
	or 1N4148M	DIODE
D7064	1SS133	DIODE
	or 1N4148M	DIODE
D7065	1SS133	DIODE
	or 1N4148M	DIODE
D7066	1SS133	DIODE
	or 1N4148M	DIODE
R7061	QRE141J-750Y	RESISTOR 75Ω,1/4W
R7062	QUY153-050Y	IM BUS WIRE
R7063	QRE141J-750Y	RESISTOR 75Ω,1/4W
R7064	QRE141J-750Y	RESISTOR 75Ω,1/4W
C7061	QDYB1CM-103Y	CAPACITOR 0.01μF,16V
C7062	QCB1HJ-681	CAPACITOR 680pF,50V
C7064	QCB1HJ-681	CAPACITOR 680pF,50V
L7061	QQL071J-100Y	COIL 10μH
L7062	QQL071J-100Y	COIL 10μH
L7063	QUY153-050Y	IM BUS WIRE
L7064	QUY153-050Y	IM BUS WIRE
J7001	QND0084-001	S JACK,S VIDEO
J7002	PEMC1009-04	PIN JACK,V IN
J7003	PEMC1010-02	PIN JACK(SW),R IN
J7004	PEMC1010-03	PIN JACK(SW),L IN
J7005	PU60659	MINI JACK,R.PAUSE
CN7002	QGF1207F1-10	FPC CONNECTOR,(1-10)MAIN

REF No. PART No. PART NAME, DESCRIPTION

LED/SW BOARD ASSEMBLY <47>

PW3	LPA10126-04A3	LED/SW BOARD ASSY
D7012	SLR-342DU3F	LE DIODE,HDR
D7018	SLR-342VR3F	LE DIODE,REC LINK
S7010	QSW0456-001Z	TACT SWITCH,HDR
S7028	QSW0456-001Z	TACT SWITCH,REC LINK
FW7003	QUM036-04A4A4	PARA RIBON WIRE

DIGITAL SUB BOARD ASSEMBLY <49>

PW1	LPA20023-01A	DIGITAL SUB BOARD ASSY
IC1	EPM3064AT10-003	IC
IC2	UPD485505G-25	IC
R1	NRSA63J-102X	MG RESISTOR 1kΩ,1/16W
R2	NRSA63J-102X	MG RESISTOR 1kΩ,1/16W
R3	NRSA63J-103X	MG RESISTOR 10kΩ,1/16W
R4	NRSA63J-103X	MG RESISTOR 10kΩ,1/16W
R5	NRSA63J-102X	MG RESISTOR 1kΩ,1/16W
RA1	NRZ0040-330X	NETWORK RESISTOR 33Ω
RA2	NRZ0040-330X	NETWORK RESISTOR 33Ω
C1	NCB31CK-104X	CAPACITOR 0.1μF,16V
C2	NBE20JM-106X	T CAPACITOR 10μF,6.3V
C3	NCB31CK-104X	CAPACITOR 0.1μF,16V
C4	NCB31CK-104X	CAPACITOR 0.1μF,16V
C5	NCB31CK-104X	CAPACITOR 0.1μF,16V
C6	NCB31CK-104X	CAPACITOR 0.1μF,16V
C7	NCB31CK-104X	CAPACITOR 0.1μF,16V
C8	NCB31CK-104X	CAPACITOR 0.1μF,16V
C9	NBE20JM-106X	T CAPACITOR 10μF,6.3V
C10	NCB31CK-104X	CAPACITOR 0.1μF,16V
K1	NQR0339-001X	FERRITE BEAD
K2	NQR0339-001X	FERRITE BEAD
CN1	QGF0503C1-15V	FFC/FPC CONNECTOR,(1-15)DIGITAL
CN2	QGF0512C1-12X	FPC CONNECTOR,(1-12)DIGITAL

DIGITAL BOARD ASSEMBLY <50>

PW1	LPA10121-04C	DIGITAL BOARD ASSY
IC8001	JCP8043-2	IC
IC8002	KM416S1120DT-G8	IC
	or K4S161622D-TC80	IC
	or A43L0616AV-7-12	IC
	or HY57V161610DTC8	IC
IC8003	MN1382/K-X	IC
IC8201	NDV8501VWB	IC(DIGITAL)
	or NDV8501-2VWA	IC(DIGITAL)
IC8202	K4S641632E-TC1H	IC
	or HY57641620HGLTH	IC
	or HY57641620HGLTP	IC

REF No. PART No. PART NAME, DESCRIPTION

IC8203	K4S641632E-TC1H	IC
	or HY57641620HGLTH	IC
	or HY57641620HGLTP	IC
IC8204	39VF800A7CEK04A	IC(MICRO C ROM)
IC8206	SN74LV573APW	IC
IC8207	SN74LV573APW	IC
IC8210	TC7WU04FU	IC(DIGITAL)
IC8401	MB86390	IC(DIGITAL)
IC8402	KM416S1120DT-G8	IC
	or K4S161622D-TC80	IC
	or A43L0616AV-7-12	IC
	or HY57V161610DTC8	IC
IC8403	KM416S1120DT-G8	IC
	or K4S161622D-TC80	IC
	or A43L0616AV-7-12	IC
	or HY57V161610DTC8	IC
IC8404	KM416S1120DT-G8	IC
	or K4S161622D-TC80	IC
	or A43L0616AV-7-12	IC
	or HY57V161610DTC8	IC
IC8405	KM416S1120DT-G8	IC
	or K4S161622D-TC80	IC
	or A43L0616AV-7-12	IC
	or HY57V161610DTC8	IC
IC8601	JCP8029	IC
IC8801	AK4518-VF-X	IC
IC8802	BA15218F-XE	IC
IC8803	BA15218F-XE	IC
IC8901	SI-3018LS-X	IC
	or SI-3018LSA-X	IC
Q8601	2SC4617/RS/-X	TRANSISTOR
Q8602	2SA1774/RS/-X	TRANSISTOR
Q8603	2SC4617/RS/-X	TRANSISTOR
Q8604	2SA1774/RS/-X	TRANSISTOR
Q8605	2SC4617/RS/-X	TRANSISTOR
Q8606	2SC4617/RS/-X	TRANSISTOR
Q8607	2SC4617/RS/-X	TRANSISTOR
Q8608	2SC4617/RS/-X	TRANSISTOR
Q8609	2SC4617/RS/-X	TRANSISTOR
Q8610	2SA1774/RS/-X	TRANSISTOR
Q8611	2SC4617/RS/-X	TRANSISTOR
Q8612	2SA1774/RS/-X	TRANSISTOR
Q8613	2SC4617/RS/-X	TRANSISTOR
Q8614	2SA1774/RS/-X	TRANSISTOR
Q8615	2SA1774/RS/-X	TRANSISTOR
Q8616	2SC4617/RS/-X	TRANSISTOR
Q8617	2SA1774/RS/-X	TRANSISTOR
Q8618	2SC4617/RS/-X	TRANSISTOR
Q8619	2SA1774/RS/-X	TRANSISTOR
R8001	NRSA63J-0R0X	MG RESISTOR 0Ω,1/16W
R8002	NRSA63J-0R0X	MG RESISTOR 0Ω,1/16W
R8004	NRSA63J-0R0X	MG RESISTOR 0Ω,1/16W
R8005	NRSA63J-0R0X	MG RESISTOR 0Ω,1/16W
R8006	NRSA63J-752X	MG RESISTOR 7.5kΩ,1/16W
R8007	NRSA63J-390X	MG RESISTOR 39Ω,1/16W
R8008	NRSA63J-562X	MG RESISTOR 5.6kΩ,1/16W
R8009	NRSA63J-105X	MG RESISTOR 1MΩ,1/16W
R8011	NRSA63J-512X	MG RESISTOR 5.1kΩ,1/16W
R8012	NRSA63J-0R0X	MG RESISTOR 0Ω,1/16W
R8013	NRSA63J-0R0X	MG RESISTOR 0Ω,1/16W
R8014	NRSA63J-820X	MG RESISTOR 82Ω,1/16W

#	△ REF No.	PART No.	PART NAME, DESCRIPTION	#	△ REF No.	PART No.	PART NAME, DESCRIPTION
R8015		NRSA63J-820X	MG RESISTOR 82Ω,1/16W	R8618		NRSA63J-223X	MG RESISTOR 22kΩ,1/16W
R8016		NRSA63J-102X	MG RESISTOR 1kΩ,1/16W	R8619		NRSA63J-273X	MG RESISTOR 27kΩ,1/16W
R8017		NRSA63J-820X	MG RESISTOR 82Ω,1/16W	R8620		NRSA63J-102X	MG RESISTOR 1kΩ,1/16W
R8018		NRSA63J-562X	MG RESISTOR 5.6kΩ,1/16W	R8622		NRSA63J-751X	MG RESISTOR 750Ω,1/16W
R8019		NRSA63J-103X	MG RESISTOR 10kΩ,1/16W	R8623		NRSA63J-222X	MG RESISTOR 2.2kΩ,1/16W
R8020		NRSA63J-103X	MG RESISTOR 10kΩ,1/16W	R8624		NRVA63D-152X	CMF RESISTOR 1.5kΩ,1/16W
R8021		NRSA63J-103X	MG RESISTOR 10kΩ,1/16W	R8625		NRSA63J-472X	MG RESISTOR 4.7kΩ,1/16W
R8022		NRSA63J-330X	MG RESISTOR 33Ω,1/16W	R8626		NRSA63J-102X	MG RESISTOR 1kΩ,1/16W
R8023		NRSA63J-330X	MG RESISTOR 33Ω,1/16W	R8627		NRSA63J-331X	MG RESISTOR 330Ω,1/16W
R8024		NRSA63J-330X	MG RESISTOR 33Ω,1/16W	R8628		NRSA63J-331X	MG RESISTOR 330Ω,1/16W
R8026		NRSA63J-330X	MG RESISTOR 33Ω,1/16W	R8629		NRSA63J-273X	MG RESISTOR 27kΩ,1/16W
R8027		NRSA63J-330X	MG RESISTOR 33Ω,1/16W	R8631		NRSA63J-821X	MG RESISTOR 820Ω,1/16W
R8031		NRSA63J-333X	MG RESISTOR 33kΩ,1/16W	R8632		NRSA63J-222X	MG RESISTOR 2.2kΩ,1/16W
R8033		NRSA63J-103X	MG RESISTOR 10kΩ,1/16W	R8633		NRSA63J-751X	MG RESISTOR 750Ω,1/16W
R8037		NRSA63J-0R0X	MG RESISTOR 0Ω,1/16W	R8635		NRSA63J-102X	MG RESISTOR 1kΩ,1/16W
R8039		NRSA63J-0R0X	MG RESISTOR 0Ω,1/16W	R8636		NRSA63J-391X	MG RESISTOR 390Ω,1/16W
R8040		NRSA63J-0R0X	MG RESISTOR 0Ω,1/16W	R8637		NRSA63J-102X	MG RESISTOR 1kΩ,1/16W
R8041		NRSA63J-0R0X	MG RESISTOR 0Ω,1/16W	R8638		NRSA63J-821X	MG RESISTOR 820Ω,1/16W
R8042		NRSA63J-103X	MG RESISTOR 10kΩ,1/16W	R8639		NRSA63J-821X	MG RESISTOR 820Ω,1/16W
R8044		NRSA63J-222X	MG RESISTOR 2.2kΩ,1/16W	R8640		NRSA63J-223X	MG RESISTOR 22kΩ,1/16W
R8046		NRSA63J-0R0X	MG RESISTOR 0Ω,1/16W	R8641		NRSA63J-273X	MG RESISTOR 27kΩ,1/16W
R8047		NRSA63J-0R0X	MG RESISTOR 0Ω,1/16W	R8643		NRSA63J-102X	MG RESISTOR 1kΩ,1/16W
R8048		NRSA63J-561X	MG RESISTOR 560Ω,1/16W	R8644		NRSA63J-201X	MG RESISTOR 200Ω,1/16W
R8203		NRSA63J-0R0X	MG RESISTOR 0Ω,1/16W	R8646		NRSA63J-821X	MG RESISTOR 820Ω,1/16W
R8205		NRSA63J-0R0X	MG RESISTOR 0Ω,1/16W	R8647		NRSA63J-222X	MG RESISTOR 2.2kΩ,1/16W
R8206		NRSA63J-390X	MG RESISTOR 39Ω,1/16W	R8648		NRSA63J-751X	MG RESISTOR 750Ω,1/16W
R8215		NRSA63J-750X	MG RESISTOR 75Ω,1/16W	R8650		NRSA63J-102X	MG RESISTOR 1kΩ,1/16W
R8217		NRSA63J-220X	MG RESISTOR 22Ω,1/16W	R8651		NRSA63J-391X	MG RESISTOR 390Ω,1/16W
R8218		NRSA63J-103X	MG RESISTOR 10kΩ,1/16W	R8652		NRSA63J-222X	MG RESISTOR 2.2kΩ,1/16W
R8224		NRSA63J-0R0X	MG RESISTOR 0Ω,1/16W	R8653		NRSA63J-821X	MG RESISTOR 820Ω,1/16W
R8225		NRSA63J-0R0X	MG RESISTOR 0Ω,1/16W	R8654		NRSA63J-821X	MG RESISTOR 820Ω,1/16W
R8226		NRSA63J-0R0X	MG RESISTOR 0Ω,1/16W	R8655		NRSA63J-273X	MG RESISTOR 27kΩ,1/16W
R8230		NRSA63J-220X	MG RESISTOR 22Ω,1/16W	R8656		NRSA63J-273X	MG RESISTOR 27kΩ,1/16W
R8233		NRSA63J-332X	MG RESISTOR 3.3kΩ,1/16W	R8658		NRSA63J-102X	MG RESISTOR 1kΩ,1/16W
R8241		NRSA63J-0R0X	MG RESISTOR 0Ω,1/16W	R8659		NRSA63J-201X	MG RESISTOR 200Ω,1/16W
R8242		NRSA63J-105X	MG RESISTOR 1MΩ,1/16W	R8660		NRSA63J-272X	MG RESISTOR 2.7kΩ,1/16W
R8243		NRSA63J-0R0X	MG RESISTOR 0Ω,1/16W	R8661		NRSA63J-152X	MG RESISTOR 1.5kΩ,1/16W
R8244		NRSA63J-103X	MG RESISTOR 10kΩ,1/16W	R8662		NRSA63J-821X	MG RESISTOR 820Ω,1/16W
R8245		NRSA63J-103X	MG RESISTOR 10kΩ,1/16W	R8663		NRSA63J-101X	MG RESISTOR 100Ω,1/16W
R8246		NRSA63J-112X	MG RESISTOR 1.1kΩ,1/16W	R8664		NRSA63J-473X	MG RESISTOR 47kΩ,1/16W
R8247		NRSA63J-0R0X	MG RESISTOR 0Ω,1/16W	R8665		NRSA63J-473X	MG RESISTOR 47kΩ,1/16W
R8401		NRSA63J-512X	MG RESISTOR 5.1kΩ,1/16W	R8666		NRSA63J-221X	MG RESISTOR 220Ω,1/16W
R8402		NRSA63J-512X	MG RESISTOR 5.1kΩ,1/16W	R8667		NRSA63J-221X	MG RESISTOR 220Ω,1/16W
R8403		NRSA63J-201X	MG RESISTOR 200Ω,1/16W	R8668		NRSA63J-221X	MG RESISTOR 220Ω,1/16W
R8406		NRSA63J-201X	MG RESISTOR 200Ω,1/16W	R8672		NRSA63J-0R0X	MG RESISTOR 0Ω,1/16W
R8407		NRSA63J-332X	MG RESISTOR 3.3kΩ,1/16W	R8673		NRSA63J-0R0X	MG RESISTOR 0Ω,1/16W
R8408		NRSA63J-201X	MG RESISTOR 200Ω,1/16W	R8674		NRSA63J-821X	MG RESISTOR 820Ω,1/16W
R8409		NRSA63J-201X	MG RESISTOR 200Ω,1/16W	R8675		NRSA63J-101X	MG RESISTOR 100Ω,1/16W
R8410		NRSA63J-0R0X	MG RESISTOR 0Ω,1/16W	R8676		NRSA63J-152X	MG RESISTOR 1.5kΩ,1/16W
R8601		NRSA63J-333X	MG RESISTOR 33kΩ,1/16W	R8677		NRSA63J-272X	MG RESISTOR 2.7kΩ,1/16W
R8602		NRSA63J-223X	MG RESISTOR 22kΩ,1/16W	R8678		NRSA63J-561X	MG RESISTOR 560Ω,1/16W
R8603		NRSA63J-821X	MG RESISTOR 820Ω,1/16W	R8801		NRSA63J-153X	MG RESISTOR 15kΩ,1/16W
R8604		NRSA63J-821X	MG RESISTOR 820Ω,1/16W	R8802		NRSA63J-153X	MG RESISTOR 15kΩ,1/16W
R8605		NRVA63D-182X	CMF RESISTOR 1.8kΩ,1/16W	R8803		NRSA63J-822X	MG RESISTOR 8.2kΩ,1/16W
R8606		NRSA63J-391X	MG RESISTOR 390Ω,1/16W	R8804		NRSA63J-822X	MG RESISTOR 8.2kΩ,1/16W
R8609		NRSA63J-102X	MG RESISTOR 1kΩ,1/16W	R8810		NRSA63J-100X	MG RESISTOR 10Ω,1/16W
R8610		NRSA63J-751X	MG RESISTOR 750Ω,1/16W	R8812		NRSA63J-0R0X	MG RESISTOR 0Ω,1/16W
R8612		NRSA63J-222X	MG RESISTOR 2.2kΩ,1/16W	R8813		NRSA63J-0R0X	MG RESISTOR 0Ω,1/16W
R8613		NRSA63J-471X	MG RESISTOR 470Ω,1/16W	R8814		NRSA63J-0R0X	MG RESISTOR 0Ω,1/16W
R8616		NRSA63J-684X	MG RESISTOR 680kΩ,1/16W	R8818		NRSA63J-0R0X	MG RESISTOR 0Ω,1/16W
R8617		NRSA63J-221X	MG RESISTOR 220Ω,1/16W	R8819		NRSA63J-221X	MG RESISTOR 220Ω,1/16W

#	△	REF No.	PART No.	PART NAME, DESCRIPTION	#	△	REF No.	PART No.	PART NAME, DESCRIPTION	
R8820			NRSA63J-222X	MG RESISTOR	2.2kΩ,1/16W	C8029		NBE20JM-106X	T CAPACITOR	10μF,6.3V
R8821			NRSA63J-102X	MG RESISTOR	1kΩ,1/16W	C8030		NCB31CK-104X	CAPACITOR	0.1μF,16V
R8823			NRSA63J-302X	MG RESISTOR	3kΩ,1/16W	C8031		NCB31CK-104X	CAPACITOR	0.1μF,16V
R8824			NRSA63J-221X	MG RESISTOR	220Ω,1/16W	C8032		NDC31HJ-470X	CAPACITOR	47pF,50V
R8825			NRSA63J-222X	MG RESISTOR	2.2kΩ,1/16W	C8033		NCB31CK-104X	CAPACITOR	0.1μF,16V
R8826			NRSA63J-102X	MG RESISTOR	1kΩ,1/16W	C8036		NCB31CK-104X	CAPACITOR	0.1μF,16V
R8828			NRSA63J-302X	MG RESISTOR	3kΩ,1/16W	C8038		NCB30JK-105X	CAPACITOR	1μF,6.3V
R8829			NRSA63J-102X	MG RESISTOR	1kΩ,1/16W	C8201		NCB31CK-104X	CAPACITOR	0.1μF,16V
R8830			NRSA63J-102X	MG RESISTOR	1kΩ,1/16W	C8202		NCB31CK-104X	CAPACITOR	0.1μF,16V
R8831			NRSA63J-0R0X	MG RESISTOR	0Ω,1/16W	C8203		NCB31CK-104X	CAPACITOR	0.1μF,16V
R8832			NRSA63J-103X	MG RESISTOR	10kΩ,1/16W	C8204		NCB31CK-104X	CAPACITOR	0.1μF,16V
R8833			NRSA63J-102X	MG RESISTOR	1kΩ,1/16W	C8205		NCB31CK-104X	CAPACITOR	0.1μF,16V
R8834			NRSA63J-102X	MG RESISTOR	1kΩ,1/16W	C8206		NCB31CK-104X	CAPACITOR	0.1μF,16V
R8835			NRSA63J-0R0X	MG RESISTOR	0Ω,1/16W	C8207		NCB31CK-104X	CAPACITOR	0.1μF,16V
R8836			NRSA63J-103X	MG RESISTOR	10kΩ,1/16W	C8208		NCB31CK-104X	CAPACITOR	0.1μF,16V
VR8603			NVP1311-102N	V RESISTOR,HDD PB C burst LEVEL ADJ		C8209		NCB31CK-104X	CAPACITOR	0.1μF,16V
VR8604			NVP1311-103N	V RESISTOR,HDD PB Y LEVEL ADJ		C8210		NCB31CK-104X	CAPACITOR	0.1μF,16V
RA8001			NRZ0040-0R0X	NETWORK RESISTOR	0Ω	C8211		NCB31CK-104X	CAPACITOR	0.1μF,16V
RA8002			NRZ0040-0R0X	NETWORK RESISTOR	0Ω	C8212		NCB31CK-104X	CAPACITOR	0.1μF,16V
RA8003			NRZ0040-0R0X	NETWORK RESISTOR	0Ω	C8213		NCB31CK-104X	CAPACITOR	0.1μF,16V
RA8004			NRZ0040-330X	NETWORK RESISTOR	33Ω	C8214		NCB31CK-104X	CAPACITOR	0.1μF,16V
RA8005			NRZ0040-330X	NETWORK RESISTOR	33Ω	C8215		NCB31CK-104X	CAPACITOR	0.1μF,16V
RA8006			NRZ0040-330X	NETWORK RESISTOR	33Ω	C8216		NBE20JM-226X	T CAPACITOR	22μF,6.3V
RA8007			NRZ0040-330X	NETWORK RESISTOR	33Ω	C8217		NCB31CK-104X	CAPACITOR	0.1μF,16V
RA8008			NRZ0040-330X	NETWORK RESISTOR	33Ω	C8218		NBE20JM-226X	T CAPACITOR	22μF,6.3V
RA8009			NRZ0040-0R0X	NETWORK RESISTOR	0Ω	C8219		NCB31CK-104X	CAPACITOR	0.1μF,16V
RA8010			NRZ0040-0R0X	NETWORK RESISTOR	0Ω	C8220		NBE20JM-226X	T CAPACITOR	22μF,6.3V
RA8212			NRZ0040-0R0X	NETWORK RESISTOR	0Ω	C8221		NCB31CK-104X	CAPACITOR	0.1μF,16V
RA8213			NRZ0040-0R0X	NETWORK RESISTOR	0Ω	C8222		NBE20JM-226X	T CAPACITOR	22μF,6.3V
RA8214			NRZ0040-0R0X	NETWORK RESISTOR	0Ω	C8223		NCB31CK-104X	CAPACITOR	0.1μF,16V
B8001			NRSA63J-0R0X	MG RESISTOR	0Ω,1/16W	C8227		NCB31CK-104X	CAPACITOR	0.1μF,16V
B8002			NRSA63J-0R0X	MG RESISTOR	0Ω,1/16W	C8229		NCB31CK-104X	CAPACITOR	0.1μF,16V
B8201			QRE141J-0R0Y	RESISTOR	0Ω,1/4W	C8230		NCB31CK-104X	CAPACITOR	0.1μF,16V
C8001			NCB31CK-104X	CAPACITOR	0.1μF,16V	C8231		NCB31CK-104X	CAPACITOR	0.1μF,16V
C8002			NCB31CK-104X	CAPACITOR	0.1μF,16V	C8232		NCB31CK-104X	CAPACITOR	0.1μF,16V
C8003			NCB31CK-104X	CAPACITOR	0.1μF,16V	C8233		NCB31CK-104X	CAPACITOR	0.1μF,16V
C8004			NCB31CK-104X	CAPACITOR	0.1μF,16V	C8234		NCB31CK-104X	CAPACITOR	0.1μF,16V
C8005			NEA70JM-107X	E CAPACITOR	100μF,6.3V	C8235		NCB31CK-104X	CAPACITOR	0.1μF,16V
C8006			NCB31CK-104X	CAPACITOR	0.1μF,16V	C8236		NCB31CK-104X	CAPACITOR	0.1μF,16V
C8007			NCB31CK-104X	CAPACITOR	0.1μF,16V	C8237		NCB31CK-104X	CAPACITOR	0.1μF,16V
C8008			NCB31CK-104X	CAPACITOR	0.1μF,16V	C8238		NCB31CK-104X	CAPACITOR	0.1μF,16V
C8009			NCB31CK-104X	CAPACITOR	0.1μF,16V	C8239		NCB31CK-104X	CAPACITOR	0.1μF,16V
C8010			NCB31CK-104X	CAPACITOR	0.1μF,16V	C8240		NCB31CK-104X	CAPACITOR	0.1μF,16V
C8011			NCB31CK-104X	CAPACITOR	0.1μF,16V	C8241		NCB31CK-104X	CAPACITOR	0.1μF,16V
C8012			NEA70JM-107X	E CAPACITOR	100μF,6.3V	C8242		NCB31CK-104X	CAPACITOR	0.1μF,16V
C8013			NCB31CK-104X	CAPACITOR	0.1μF,16V	C8243		NCB31CK-104X	CAPACITOR	0.1μF,16V
C8014			NCB31CK-104X	CAPACITOR	0.1μF,16V	C8244		NCB31CK-104X	CAPACITOR	0.1μF,16V
C8015			NCB31CK-104X	CAPACITOR	0.1μF,16V	C8245		NCB31CK-104X	CAPACITOR	0.1μF,16V
C8016			NDC31HJ-120X	CAPACITOR	12pF,50V	C8246		NCB31CK-104X	CAPACITOR	0.1μF,16V
C8017			NCB31HK-103X	CAPACITOR	0.01μF,50V	C8247		NCB31CK-104X	CAPACITOR	0.1μF,16V
C8018			NCB31CK-104X	CAPACITOR	0.1μF,16V	C8248		NCB31CK-104X	CAPACITOR	0.1μF,16V
C8019			NCB31CK-104X	CAPACITOR	0.1μF,16V	C8249		NCB31CK-104X	CAPACITOR	0.1μF,16V
C8020			NCB31CK-104X	CAPACITOR	0.1μF,16V	C8250		NCB31CK-104X	CAPACITOR	0.1μF,16V
C8021			NCB31CK-104X	CAPACITOR	0.1μF,16V	C8251		NCB31CK-104X	CAPACITOR	0.1μF,16V
C8022			NCB31CK-104X	CAPACITOR	0.1μF,16V	C8252		NCB31CK-104X	CAPACITOR	0.1μF,16V
C8023			NCB31CK-104X	CAPACITOR	0.1μF,16V	C8253		NCB31CK-104X	CAPACITOR	0.1μF,16V
C8024			NCB31CK-104X	CAPACITOR	0.1μF,16V	C8254		NCB31CK-104X	CAPACITOR	0.1μF,16V
C8025			NEA70JM-107X	E CAPACITOR	100μF,6.3V	C8255		NCB31CK-104X	CAPACITOR	0.1μF,16V
C8026			NCB31CK-104X	CAPACITOR	0.1μF,16V	C8256		NCB31CK-104X	CAPACITOR	0.1μF,16V
C8027			NCB31AK-224X	CAPACITOR	0.22μF,10V	C8267		NCB31CK-104X	CAPACITOR	0.1μF,16V
C8028			NCB31CK-104X	CAPACITOR	0.1μF,16V	C8268		NCB31CK-104X	CAPACITOR	0.1μF,16V

#	△ REF No.	PART No.	PART NAME, DESCRIPTION	#	△ REF No.	PART No.	PART NAME, DESCRIPTION	
C8269		NCB31CK-104X	CAPACITOR	0.1μF,16V	C8450	NCB31CK-104X	CAPACITOR	0.1μF,16V
C8270		NCB31CK-104X	CAPACITOR	0.1μF,16V	C8451	NCB31CK-104X	CAPACITOR	0.1μF,16V
C8271		NBE20JM-226X	T CAPACITOR	22μF,6.3V	C8452	NCB31CK-104X	CAPACITOR	0.1μF,16V
C8272		NBE20JM-226X	T CAPACITOR	22μF,6.3V	C8453	NCB31CK-104X	CAPACITOR	0.1μF,16V
C8273		NCB31CK-104X	CAPACITOR	0.1μF,16V	C8454	NBE20JM-106X	T CAPACITOR	10μF,6.3V
C8274		NCB31CK-104X	CAPACITOR	0.1μF,16V	C8455	NCB31CK-104X	CAPACITOR	0.1μF,16V
C8280		NCB31CK-104X	CAPACITOR	0.1μF,16V	C8456	NCB31CK-104X	CAPACITOR	0.1μF,16V
C8281		NBE20JM-226X	T CAPACITOR	22μF,6.3V	C8457	NCB31CK-104X	CAPACITOR	0.1μF,16V
C8282		NEA70JM-107X	E CAPACITOR	100μF,6.3V	C8458	NCB31CK-104X	CAPACITOR	0.1μF,16V
C8283		NCB31CK-104X	CAPACITOR	0.1μF,16V	C8459	NCB31CK-104X	CAPACITOR	0.1μF,16V
C8287		NEA70JM-107X	E CAPACITOR	100μF,6.3V	C8460	NCB31CK-104X	CAPACITOR	0.1μF,16V
C8288		NCB31CK-104X	CAPACITOR	0.1μF,16V	C8601	NBE20JM-106X	T CAPACITOR	10μF,6.3V
C8289		NCB31CK-104X	CAPACITOR	0.1μF,16V	C8602	NCB31CK-104X	CAPACITOR	0.1μF,16V
C8401		NBE20JM-226X	T CAPACITOR	22μF,6.3V	C8603	NDC31HJ-8R0X	CAPACITOR	8pF,50V
C8402		NBE20JM-106X	T CAPACITOR	10μF,6.3V	C8604	NDC31HJ-150X	CAPACITOR	15pF,50V
C8403		NCB31CK-104X	CAPACITOR	0.1μF,16V	C8605	NDC31HJ-390X	CAPACITOR	39pF,50V
C8404		NBE20JM-226X	T CAPACITOR	22μF,6.3V	C8606	NDC31HJ-330X	CAPACITOR	33pF,50V
C8405		NCB31CK-104X	CAPACITOR	0.1μF,16V	C8607	NCB11AK-475X	CAPACITOR	4.7μF,10V
C8407		NCB31CK-104X	CAPACITOR	0.1μF,16V	C8608	NCB31HK-103X	CAPACITOR	0.01μF,50V
C8408		NCB31CK-104X	CAPACITOR	0.1μF,16V	C8609	NEA70JM-107X	E CAPACITOR	100μF,6.3V
C8409		NCB31CK-104X	CAPACITOR	0.1μF,16V	C8610	NCB31HK-103X	CAPACITOR	0.01μF,50V
C8410		NCB31CK-104X	CAPACITOR	0.1μF,16V	C8611	NCB31HK-103X	CAPACITOR	0.01μF,50V
C8411		NCB31CK-104X	CAPACITOR	0.1μF,16V	C8612	NCB31CK-104X	CAPACITOR	0.1μF,16V
C8412		NCB31CK-104X	CAPACITOR	0.1μF,16V	C8613	NDC31HJ-8R0X	CAPACITOR	8pF,50V
C8413		NCB31CK-104X	CAPACITOR	0.1μF,16V	C8614	NDC31HJ-150X	CAPACITOR	15pF,50V
C8414		NCB31CK-104X	CAPACITOR	0.1μF,16V	C8615	NDC31HJ-390X	CAPACITOR	39pF,50V
C8415		NCB31CK-104X	CAPACITOR	0.1μF,16V	C8616	NDC31HJ-330X	CAPACITOR	33pF,50V
C8416		NCB31CK-104X	CAPACITOR	0.1μF,16V	C8617	NCB31HK-103X	CAPACITOR	0.01μF,50V
C8417		NCB31CK-104X	CAPACITOR	0.1μF,16V	C8618	NCB31HK-103X	CAPACITOR	0.01μF,50V
C8418		NCB31CK-104X	CAPACITOR	0.1μF,16V	C8619	NEA70JM-107X	E CAPACITOR	100μF,6.3V
C8419		NCB31CK-104X	CAPACITOR	0.1μF,16V	C8620	NCB31CK-104X	CAPACITOR	0.1μF,16V
C8420		NCB31CK-104X	CAPACITOR	0.1μF,16V	C8621	NDC31HJ-330X	CAPACITOR	33pF,50V
C8421		NCB31CK-104X	CAPACITOR	0.1μF,16V	C8622	NDC31HJ-390X	CAPACITOR	39pF,50V
C8422		NCB31CK-104X	CAPACITOR	0.1μF,16V	C8623	NDC31HJ-150X	CAPACITOR	15pF,50V
C8423		NCB31CK-104X	CAPACITOR	0.1μF,16V	C8624	NDC31HJ-8R0X	CAPACITOR	8pF,50V
C8424		NCB31CK-104X	CAPACITOR	0.1μF,16V	C8625	NCB31CK-104X	CAPACITOR	0.1μF,16V
C8425		NCB31CK-104X	CAPACITOR	0.1μF,16V	C8626	NCB31HK-103X	CAPACITOR	0.01μF,50V
C8426		NCB31CK-104X	CAPACITOR	0.1μF,16V	C8627	NCB31CK-104X	CAPACITOR	0.1μF,16V
C8427		NCB31CK-104X	CAPACITOR	0.1μF,16V	C8628	NDC31HJ-330X	CAPACITOR	33pF,50V
C8428		NCB31CK-104X	CAPACITOR	0.1μF,16V	C8629	NDC31HJ-390X	CAPACITOR	39pF,50V
C8429		NCB31CK-104X	CAPACITOR	0.1μF,16V	C8630	NDC31HJ-120X	CAPACITOR	12pF,50V
C8430		NCB31CK-104X	CAPACITOR	0.1μF,16V	C8631	NDC31HJ-8R0X	CAPACITOR	8pF,50V
C8431		NCB31CK-104X	CAPACITOR	0.1μF,16V	C8632	NCB31CK-104X	CAPACITOR	0.1μF,16V
C8432		NCB31CK-104X	CAPACITOR	0.1μF,16V	C8633	NBE20JM-106X	T CAPACITOR	10μF,6.3V
C8433		NCB31CK-104X	CAPACITOR	0.1μF,16V	C8634	NBE20JM-106X	T CAPACITOR	10μF,6.3V
C8434		NCB31CK-104X	CAPACITOR	0.1μF,16V	C8635	NCB31HK-103X	CAPACITOR	0.01μF,50V
C8435		NCB31CK-104X	CAPACITOR	0.1μF,16V	C8636	NCB31CK-104X	CAPACITOR	0.1μF,16V
C8436		NCB31CK-104X	CAPACITOR	0.1μF,16V	C8637	NCB31CK-104X	CAPACITOR	0.1μF,16V
C8437		NCB31CK-104X	CAPACITOR	0.1μF,16V	C8638	NCB31CK-104X	CAPACITOR	0.1μF,16V
C8438		NCB31CK-104X	CAPACITOR	0.1μF,16V	C8639	NCB31CK-104X	CAPACITOR	0.1μF,16V
C8439		NCB31CK-104X	CAPACITOR	0.1μF,16V	C8640	NCB31CK-104X	CAPACITOR	0.1μF,16V
C8440		NBE20JM-106X	T CAPACITOR	10μF,6.3V	C8641	NCB31CK-104X	CAPACITOR	0.1μF,16V
C8441		NCB31CK-104X	CAPACITOR	0.1μF,16V	C8642	NCB31CK-104X	CAPACITOR	0.1μF,16V
C8442		NCB31CK-104X	CAPACITOR	0.1μF,16V	C8643	NCB31CK-104X	CAPACITOR	0.1μF,16V
C8443		NCB31CK-104X	CAPACITOR	0.1μF,16V	C8644	NCB31CK-104X	CAPACITOR	0.1μF,16V
C8444		NCB31CK-104X	CAPACITOR	0.1μF,16V	C8645	NBE20JM-106X	T CAPACITOR	10μF,6.3V
C8445		NCB31CK-104X	CAPACITOR	0.1μF,16V	C8646	NCB31CK-104X	CAPACITOR	0.1μF,16V
C8446		NCB31CK-104X	CAPACITOR	0.1μF,16V	C8647	NBE20JM-106X	T CAPACITOR	10μF,6.3V
C8447		NBE20JM-106X	T CAPACITOR	10μF,6.3V	C8648	NCB31CK-104X	CAPACITOR	0.1μF,16V
C8448		NCB31CK-104X	CAPACITOR	0.1μF,16V	C8649	NBE20JM-106X	T CAPACITOR	10μF,6.3V
C8449		NCB31CK-104X	CAPACITOR	0.1μF,16V	C8650	NCB31CK-104X	CAPACITOR	0.1μF,16V

#	△ REF No.	PART No.	PART NAME, DESCRIPTION	
C8651		NCB31CK-104X	CAPACITOR	0.1μF,16V
C8652		NCB31CK-104X	CAPACITOR	0.1μF,16V
C8654		NCB31CK-104X	CAPACITOR	0.1μF,16V
C8655		NCB31CK-104X	CAPACITOR	0.1μF,16V
C8656		NCB31CK-104X	CAPACITOR	0.1μF,16V
C8657		NCB31CK-104X	CAPACITOR	0.1μF,16V
C8801		NEA71HM-105X	E CAPACITOR	1μF,50V
C8802		NEA71HM-105X	E CAPACITOR	1μF,50V
C8803		NBE20JM-475X	T CAPACITOR	4.7μF,6.3V
C8804		NDC31HJ-151X	CAPACITOR	150pF,50V
C8805		NCB31CK-104X	CAPACITOR	0.1μF,16V
C8806		NCB31CK-104X	CAPACITOR	0.1μF,16V
C8807		NBE20JM-475X	T CAPACITOR	4.7μF,6.3V
C8808		NDC31HJ-151X	CAPACITOR	150pF,50V
C8809		NCB31CK-104X	CAPACITOR	0.1μF,16V
C8810		NBE20JM-226X	T CAPACITOR	22μF,6.3V
C8811		NCB31CK-104X	CAPACITOR	0.1μF,16V
C8812		NBE20JM-475X	T CAPACITOR	4.7μF,6.3V
C8813		NCB31CK-104X	CAPACITOR	0.1μF,16V
C8814		NBE20JM-226X	T CAPACITOR	22μF,6.3V
C8815		NCB31CK-104X	CAPACITOR	0.1μF,16V
C8816		NEA71HM-105X	E CAPACITOR	1μF,50V
C8820		NEA71HM-105X	E CAPACITOR	1μF,50V
C8825		NCB31HK-332X	CAPACITOR	0.0033μF,50V
C8826		NCB31HK-682X	CAPACITOR	0.0068μF,50V
C8828		NBE20JM-106X	T CAPACITOR	10μF,6.3V
C8830		NCB31HK-332X	CAPACITOR	0.0033μF,50V
C8831		NCB31HK-682X	CAPACITOR	0.0068μF,50V
C8833		NBE20JM-106X	T CAPACITOR	10μF,6.3V
C8834		NCB31CK-104X	CAPACITOR	0.1μF,16V
C8835		NEA71CM-476X	E CAPACITOR	47μF,16V
C8836		NCB31CK-104X	CAPACITOR	0.1μF,16V
C8837		NEA71CM-476X	E CAPACITOR	47μF,16V
C8901		NEA71CM-107X	E CAPACITOR	100μF,16V
C8902		NCB31CK-104X	CAPACITOR	0.1μF,16V
C8903		NEA71CM-107X	E CAPACITOR	100μF,16V
C8904		NCB31CK-104X	CAPACITOR	0.1μF,16V
C8905		NEA70JM-107X	E CAPACITOR	100μF,6.3V
C8906		NCB31CK-104X	CAPACITOR	0.1μF,16V
C8907		NEA70JM-107X	E CAPACITOR	100μF,6.3V
C8908		NCB31CK-104X	CAPACITOR	0.1μF,16V
C8909		NEA70JM-107X	E CAPACITOR	100μF,6.3V
C8910		NCB31CK-104X	CAPACITOR	0.1μF,16V
C8911		NEA70JM-107X	E CAPACITOR	100μF,6.3V
C8912		NCB31CK-104X	CAPACITOR	0.1μF,16V
C8913		NEA70JM-107X	E CAPACITOR	100μF,6.3V
C8914		NCB31CK-104X	CAPACITOR	0.1μF,16V
C8915		NEA70JM-107X	E CAPACITOR	100μF,6.3V
C8916		NCB31CK-104X	CAPACITOR	0.1μF,16V
C8917		NBE20JM-106X	T CAPACITOR	10μF,6.3V
C8918		NCB31CK-104X	CAPACITOR	0.1μF,16V
C8919		NBE20JM-106X	T CAPACITOR	10μF,6.3V
C8920		NCB31CK-104X	CAPACITOR	0.1μF,16V
C8921		NEA70JM-107X	E CAPACITOR	100μF,6.3V
C8922		NCB31CK-104X	CAPACITOR	0.1μF,16V
L8001		NQR0339-001X	FERRITE BEAD	
L8401		NQR0339-001X	FERRITE BEAD	
L8402		NQR0339-001X	FERRITE BEAD	
L8403		NQR0339-001X	FERRITE BEAD	
L8601		NQL025J-150X	COIL	15μH
L8602		NQL085J-330X	COIL	33μH

#	△ REF No.	PART No.	PART NAME, DESCRIPTION	
L8603		NQR0339-001X	FERRITE BEAD	
L8604		NQL025J-150X	COIL	15μH
L8605		NQL085J-330X	COIL	33μH
L8606		NQR0339-001X	FERRITE BEAD	
L8607		NQL085J-330X	COIL	33μH
L8608		NQL025J-150X	COIL	15μH
L8609		NQL085J-330X	COIL	33μH
L8610		NQL025J-150X	COIL	15μH
△ L8611		NQL035K-100X	COIL	10μH
L8612		NQR0129-002X	FERRITE BEAD	
L8613		NQR0339-001X	FERRITE BEAD	
L8614		NQR0339-001X	FERRITE BEAD	
L8801		NQR0339-001X	FERRITE BEAD	
△ L8802		NQL035K-100X	COIL	10μH
L8803		NQL035K-100X	COIL	10μH
X8001		NAX0304-001X	CXO	
K8001		NRSA02J-150X	MG RESISTOR	15Ω,1/10W
△ K8207		NQR0129-002X	FERRITE BEAD	
K8209		NQR0129-002X	FERRITE BEAD	
K8210		NQR0339-001X	FERRITE BEAD	
K8701		QQR0717-031	FERRITE CORE	
K8901		NQR0339-001X	FERRITE BEAD	
K8902		NQR0339-001X	FERRITE BEAD	
K8903		NQR0339-001X	FERRITE BEAD	
K8904		NQR0339-001X	FERRITE BEAD	
K8905		NQR0339-001X	FERRITE BEAD	
K8906		NQR0339-001X	FERRITE BEAD	
K8907		NQR0339-001X	FERRITE BEAD	
K8908		NQR0339-001X	FERRITE BEAD	
ET1		QNZ0136-001Z	EARTH TERMINAL	
J1		QUQ105-1210AA	FFC WIRE,DIGITAL SUB CN2	
J2		QUQ105-1504AA	FFC WIRE,DIGITAL SUB CN1	
CN8001		QGA2523F1-40	CONNECTOR,(1-40)HDD	
CN8002		QGF1016F2-06W	FFC/FPC CONNECTOR,(1-6)MAIN	
CN8202		QGF1016F2-06W	FFC/FPC CONNECTOR	
CN8401		QGF0503C1-15V	FFC/FPC CONNECTOR(1-15)DIGITAL SUB	
CN8601		QGA2001F2-06V	CONNECTOR,(1-6)MAIN	
CN8602		QGF0512C1-12X	FPC CONNECTOR,(1-12)DIGITAL SUB	
CN8801		QGF1016F4-08W	FFC/FPC CONNECTOR,(1-8)MAIN	
CN8901		QGA2001F2-09V	CONNECTOR,(1-9)REG	

LOADING MOTOR BOARD ASSEMBLY <55>

PW2	LPA10010-01A2	LOADING MOTOR BOARD ASSY
CN1	QGB2533K1-02	CONNECTOR

S/P CONVERTER BOARD ASSEMBLY <87>

PW1	PB10999C	S/P CONVERTER BOARD ASSY
IC1	CXA1227Q-V	IC
IC2	CXA1229AM	IC
IC3	MM1108XF	IC
Q1	IMX3	PAIR TRANSISTOR

#	△ REF No.	PART No.	PART NAME, DESCRIPTION	#	△ REF No.	PART No.	PART NAME, DESCRIPTION
Q3		IMX3	PAIR TRANSISTOR	R31		NRVA02D-273X	CMF RESISTOR 27kΩ,1/10W
Q4		IMX3	PAIR TRANSISTOR	R32		NRSA02J-183X	MG RESISTOR 18kΩ,1/10W
Q5		2SD1819A/QRS/-X	TRANSISTOR	R33		NRSA02J-223X	MG RESISTOR 22kΩ,1/10W
		or 2SC4081/QRS/-X	TRANSISTOR	R34		NRSA02J-331X	MG RESISTOR 330Ω,1/10W
		or 2PC4081/R/-X	TRANSISTOR	R35		NRSA02J-102X	MG RESISTOR 1kΩ,1/10W
Q6		2SD1819A/QRS/-X	TRANSISTOR	R36		NRSA02J-103X	MG RESISTOR 10kΩ,1/10W
		or 2PC4081/R/-X	TRANSISTOR	R37		NRSA02J-102X	MG RESISTOR 1kΩ,1/10W
		or 2SC4081/QRS/-X	TRANSISTOR	R38		NRSA02J-153X	MG RESISTOR 15kΩ,1/10W
Q7		2SB1218A/QR/-X	TRANSISTOR	R39		NRSA02J-223X	MG RESISTOR 22kΩ,1/10W
		or 2SA1576A/QRS/-X	TRANSISTOR	R40		NRSA02J-122X	MG RESISTOR 1.2kΩ,1/10W
		or 2PA1576/R/-X	TRANSISTOR	R41		NRSA02J-121X	MG RESISTOR 120Ω,1/10W
Q8		2SD1819A/QRS/-X	TRANSISTOR	R42		NRSA02J-121X	MG RESISTOR 120Ω,1/10W
		or 2PC4081/R/-X	TRANSISTOR	R43		NRSA02J-102X	MG RESISTOR 1kΩ,1/10W
		or 2SC4081/QRS/-X	TRANSISTOR	R44		NRSA02J-102X	MG RESISTOR 1kΩ,1/10W
Q9		2SD1819A/QRS/-X	TRANSISTOR	R45		NRSA02J-560X	MG RESISTOR 56Ω,1/10W
		or 2SC4081/QRS/-X	TRANSISTOR	R46		NRSA02J-560X	MG RESISTOR 56Ω,1/10W
		or 2PC4081/R/-X	TRANSISTOR	R47		NRSA02J-331X	MG RESISTOR 330Ω,1/10W
Q11		2SD1819A/QRS/-X	TRANSISTOR	R48		NRSA02J-331X	MG RESISTOR 330Ω,1/10W
		or 2PC4081/R/-X	TRANSISTOR	R49		NRSA02J-151X	MG RESISTOR 150Ω,1/10W
		or 2SC4081/QRS/-X	TRANSISTOR	R50		NRSA02J-151X	MG RESISTOR 150Ω,1/10W
Q12		2SD1819A/QRS/-X	TRANSISTOR	R51		NRSA02J-332X	MG RESISTOR 3.3kΩ,1/10W
		or 2SC4081/QRS/-X	TRANSISTOR	R52		NRSA02J-332X	MG RESISTOR 3.3kΩ,1/10W
		or 2PC4081/R/-X	TRANSISTOR	R53		NRSA02J-332X	MG RESISTOR 3.3kΩ,1/10W
Q14		UN521E	TRANSISTOR	R54		NRSA02J-332X	MG RESISTOR 3.3kΩ,1/10W
		or DTC144WU	TRANSISTOR	R55		NRSA02J-182X	MG RESISTOR 1.8kΩ,1/10W
		or RN1309	TRANSISTOR	R56		NRSA02J-182X	MG RESISTOR 1.8kΩ,1/10W
Q15		UN521E	TRANSISTOR	R57		NRSA02J-102X	MG RESISTOR 1kΩ,1/10W
		or RN1309	TRANSISTOR	R58		NRSA02J-102X	MG RESISTOR 1kΩ,1/10W
		or DTC144WU	TRANSISTOR	R59		NRSA02J-911X	MG RESISTOR 910Ω,1/10W
R1		NRSA02J-391X	MG RESISTOR 390Ω,1/10W	R60		NRSA02J-152X	MG RESISTOR 1.5kΩ,1/10W
R2		NRSA02J-105X	MG RESISTOR 1MΩ,1/10W	R71		NRSA02J-561X	MG RESISTOR 560Ω,1/10W
R3		NRSA02J-223X	MG RESISTOR 22kΩ,1/10W	R72		NRSA02J-334X	MG RESISTOR 330kΩ,1/10W
R4		NRSA02J-225X	MG RESISTOR 2.2MΩ,1/10W	R74		NRVA02D-104X	CMF RESISTOR 100kΩ,1/10W
R5		NRSA02J-242X	MG RESISTOR 2.4kΩ,1/10W	R75		NRSA02J-823X	MG RESISTOR 82kΩ,1/10W
R6		NRSA02J-472X	MG RESISTOR 4.7kΩ,1/10W	R76		NRSA02J-122X	MG RESISTOR 1.2kΩ,1/10W
R7		NRSA02J-242X	MG RESISTOR 2.4kΩ,1/10W	R77		NRSA02J-103X	MG RESISTOR 10kΩ,1/10W
R8		NRSA02J-472X	MG RESISTOR 4.7kΩ,1/10W	R78		NRSA02J-103X	MG RESISTOR 10kΩ,1/10W
R9		NRSA02J-223X	MG RESISTOR 22kΩ,1/10W	R79		NRSA02J-0R0X	MG RESISTOR 0Ω,1/10W
VR1		QVP0039-103Z	TRIM RESISTOR,FH SYNC ADJ	R80		NRSA02J-103X	MG RESISTOR 10kΩ,1/10W
VR2		QVP0039-683Z	TRIM RESISTOR,FH FREE RUN ADJ	B102		NRSA02J-0R0X	MG RESISTOR 0Ω,1/10W
VR3		QVP0039-331Z	TRIM RESISTOR,R-Y LEVEL ADJ	B103		NRSA02J-0R0X	MG RESISTOR 0Ω,1/10W
VR4		QVP0039-331Z	TRIM RESISTOR,B-Y LEVEL ADJ	C1		NDC21HJ-101X	CAPACITOR 100pF,50V
R10		NRSA02J-104X	MG RESISTOR 100kΩ,1/10W	C2		NDC21HJ-270X	CAPACITOR 27pF,50V
R11		NRSA02J-473X	MG RESISTOR 47kΩ,1/10W	C3		NCB21HK-103X	CAPACITOR 0.01μF,50V
R12		NRSA02J-391X	MG RESISTOR 390Ω,1/10W	C4		NCB21HK-103X	CAPACITOR 0.01μF,50V
R13		NRSA02J-391X	MG RESISTOR 390Ω,1/10W	C6		NDC21HJ-221X	CAPACITOR 220pF,50V
R14		NRSA02J-391X	MG RESISTOR 390Ω,1/10W	C7		NDC21HJ-221X	CAPACITOR 220pF,50V
R15		NRSA02J-332X	MG RESISTOR 3.3kΩ,1/10W	C9		NCB21HK-103X	CAPACITOR 0.01μF,50V
R16		NRSA02J-101X	MG RESISTOR 100Ω,1/10W	C10		NDC21HJ-102X	CAPACITOR 0.001μF,50V
R17		QRE141J-221Y	RESISTOR 220Ω,1/4W	C11		NCB21HJ-472X	CAPACITOR 0.0047μF,50V
R18		QRE141J-221Y	RESISTOR 220Ω,1/4W	C12		NCB21HK-103X	CAPACITOR 0.01μF,50V
R19		NRSA02J-271X	MG RESISTOR 270Ω,1/10W	C13		NDC21HJ-270X	CAPACITOR 27pF,50V
R20		NRSA02J-271X	MG RESISTOR 270Ω,1/10W	C14		NDC21HJ-101X	CAPACITOR 100pF,50V
R21		NRSA02J-183X	MG RESISTOR 18kΩ,1/10W	C15		NCB21HK-103X	CAPACITOR 0.01μF,50V
R22		NRSA02J-223X	MG RESISTOR 22kΩ,1/10W	C16		NCB21HK-103X	CAPACITOR 0.01μF,50V
R23		NRSA02J-102X	MG RESISTOR 1kΩ,1/10W	C17		NCB21HK-103X	CAPACITOR 0.01μF,50V
R24		NRSA02J-102X	MG RESISTOR 1kΩ,1/10W	C18		NCB21HK-103X	CAPACITOR 0.01μF,50V
R25		NRSA02J-102X	MG RESISTOR 1kΩ,1/10W	C19		NDC21HJ-101X	CAPACITOR 100pF,50V
R26		NRSA02J-102X	MG RESISTOR 1kΩ,1/10W	C20		NCB21HK-103X	CAPACITOR 0.01μF,50V
R27		NRSA02J-102X	MG RESISTOR 1kΩ,1/10W	C21		NDC21HJ-100X	CAPACITOR 10pF,50V
R28		NRSA02J-102X	MG RESISTOR 1kΩ,1/10W	C22		NDC21HJ-100X	CAPACITOR 10pF,50V

#	△ REF No.	PART No.	PART NAME, DESCRIPTION	
C24		NDC21HJ-220X	CAPACITOR	22pF,50V
C25		NDC21HJ-101X	CAPACITOR	100pF,50V
C26		NDC21HJ-101X	CAPACITOR	100pF,50V
C31		QEKJ1CM-106	E CAPACITOR	10μF,16V
C32		QEKJ1CM-106	E CAPACITOR	10μF,16V
C33		QEKJ1CM-106	E CAPACITOR	10μF,16V
C34		QEKJ1HM-105	E CAPACITOR	1μF,50V
C35		QEKJ1HM-105	E CAPACITOR	1μF,50V
C36		QEKJ1HM-105	E CAPACITOR	1μF,50V
C37		QEKJ1CM-106	E CAPACITOR	10μF,16V
C38		QEKJ1CM-226	E CAPACITOR	22μF,16V
C39		QEKJ1CM-226	E CAPACITOR	22μF,16V
C40		QEKJ1HM-105	E CAPACITOR	1μF,50V
C41		NDC21HJ-330X	CAPACITOR	33pF,50V
C43		NDC21HJ-330X	CAPACITOR	33pF,50V
C44		NCB21HK-103X	CAPACITOR	0.01μF,50V
C45		NCB21HK-103X	CAPACITOR	0.01μF,50V
C46		NCB21HK-103X	CAPACITOR	0.01μF,50V
C47		NCB21HK-103X	CAPACITOR	0.01μF,50V
C48		NCB21HK-103X	CAPACITOR	0.01μF,50V
C49		NRSA02J-0R0X	MG RESISTOR	0Ω,1/10W
C50		NCB21HK-103X	CAPACITOR	0.01μF,50V
C51		QEKJ1CM-107	E CAPACITOR	100μF,16V
C52		QEKJ1CM-106	E CAPACITOR	10μF,16V
C53		QEKJ1CM-106	E CAPACITOR	10μF,16V
C54		QEKJ1CM-107	E CAPACITOR	100μF,16V
C55		QEKJ1HM-105	E CAPACITOR	1μF,50V
C56		QEKJ1HM-105	E CAPACITOR	1μF,50V
C57		QEKJ1CM-476	E CAPACITOR	47μF,16V
C58		NDC21HJ-471X	CAPACITOR	470pF,50V
C60		NCB21HK-103X	CAPACITOR	0.01μF,50V
C61		QEKJ1CM-226	E CAPACITOR	22μF,16V
C62		QEKJ1CM-226	E CAPACITOR	22μF,16V
C63		QEKJ1CM-476	E CAPACITOR	47μF,16V
C64		QEKJ1CM-476	E CAPACITOR	47μF,16V
C65		NCB21HK-103X	CAPACITOR	0.01μF,50V
C66		NCB21HK-103X	CAPACITOR	0.01μF,50V
C67		QEKJ1CM-476	E CAPACITOR	47μF,16V
C68		NCB21HK-103X	CAPACITOR	0.01μF,50V
C69		NCB21HK-103X	CAPACITOR	0.01μF,50V
C70		NCB21EK-333X	CAPACITOR	0.033μF,25V
C71		NDC21HJ-561X	CAPACITOR	560pF,50V
C72		QEKJ1HM-335	E CAPACITOR	3.3μF,50V
C73		NDC21HJ-221X	CAPACITOR	220pF,50V
C74		NCB21HK-102X	CAPACITOR	0.001μF,50V
C75		NCB21HK-392X	CAPACITOR	0.0039μF,50V
C76		NCB21EK-333X	CAPACITOR	0.033μF,25V
L1		QQL231J-120Y	COIL	12μH
L2		PELN1206	COIL	47μH
L5		PELN1206	COIL	47μH
L6		QQL231J-120Y	COIL	12μH
L7		QQL231J-8R2Y	COIL	8.2μH
L8		QQL231J-8R2Y	COIL	8.2μH
L10		PU48530-120J	COIL	12μH
L11		PU48530-120J	COIL	12μH
L12		PU48530-120J	COIL	12μH
X1		PEVB0550	CRYSTAL RESONATOR	
FL1		PELN1205	LC TRAP	
FL2		PU60904-2	DELAY LINE	
FL3		PELN1207	LOW PASS FILTER	
FL4		PELN1207	LOW PASS FILTER	

#	△ REF No.	PART No.	PART NAME, DESCRIPTION
FL5		PELN1225	BAND PASS FILTER
SD1		PQ21952	SHIELD FRAME
CN1		QGF1208F1-08	FPC CONNECTOR,(9-16)MAIN

LED BOARD ASSEMBLY <90>

PW4	LPA10126-04A4	LED BOARD ASSY	
D7017	SELU5E20C	LE DIODE	
D7019	QRE141J-103Y	RESISTOR	10kΩ,1/4W
R7056	QRE141J-101Y	RESISTOR	100Ω,1/4W
C7022	QDYB1CM-103Y	CAPACITOR	0.01μF,16V
FW7001	QUM022-07A4A4	PARA RIBON WIRE	